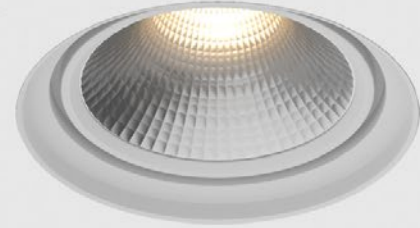


ARTEMIS 3 WD

RECESSED DOWNLIGHT W/ WARM DIM



Artemis 3 WD - Recessed Downlight with Warm Dim. Artemis 3 WD features SENSO-designed reflectors and our warm dim feature to mimic the effect of a standard light bulb in an efficient lighting package. As part of the Artemis family of downlights, it's easy to get a cohesive design regardless of fixture size or style.

Ordering Code

Fixture	<input type="text"/>	<input type="text"/>	<input type="text"/>	<input type="text"/>	<input type="text"/>	<input type="text"/>	<input type="text"/>	<input type="text"/>	<input type="text"/>
	1	2	3	4	5	6	7	8	9
Driver	<input type="text"/>	<input type="text"/>	<input type="text"/>	<input type="text"/>	<input type="text"/>	<input type="text"/>	<input type="text"/>	<input type="text"/>	<input type="text"/>
	1	--	--	4	5	--	--	--	8

Product Specifications

SAMPLE: Fixture **AR3D - TL - WD - 610 - 30 - 15 - DL - 02 - 08** | Driver **910 - AR3D - TL - STD - 120 - WD - 15 - 08**

1 - Model	2 - Trim	3 - LED	4 - Optic	5 - CCT	6 - Lumen	7 - Accessory
AR3D · Artemis 3 Downlight	FL · Flanged TL · Trimless	WD · Warm Dim (90 CRI)	610 · 10° 618 · 18° 630 · 30° 645 · 45° 660 · 60° 680 · 80° Smooth Anodized*1	30 · 3000K dimmed to 1800K	15 · 1500 (16W) 20 · 2000 (21W) 30 · 3000 (32W)	00 · No Accessory DL · Diffusing Lens
AR3A · Artemis 3 Adjustable						
AR3W · Artemis 3 Wall Wash*1						

8 - Trim Color	9 - Baffle Color	1 - Housing Style	2 - Model	3 - Trim	4 - Driver	Dim Level
01 · White 02 · Black 08 · Silver XX · Custom	01 · White 02 · Black 08 · Silver XX · Custom	910 · Remote 915 · New Construction 920 · IC Housing*2 930 · Chicago Plenum*2	Same as Fixture	Same as Fixture	STD · Non Dimming LCS · 0 - 10 Volt Protocol ELDOLC · EldoLED 0 - 10 Volt DALI · Dali Protocol LUTES · Hilume Ecodigital LUT2W · 2 Wire for phase*3 DMX · SENSO CSMB · Casambi Wireless Control	N/A 1% 0.1% 0.1% 1% 1%

5 - Voltage	6 - LED	7 - Lumen	8 - Baffle Color*4		
120 · 120V 277 · 277V 347 · 347V	Same as Fixture	Same as Fixture	Same as Fixture	*1 680 not available with AR3W *2 Cannot exceed 1500lm *3 Not available in 277V *4 Only needed for Trimless	Project : _____ Quantity : _____ Type : _____ Notes : _____

ARTEMIS 3 WD

RECESSED DOWNLIGHT W/ WARM DIM



Light Engine

- Output:** up to 3000lm
- High Efficacy:** up to 98 lumen/Watt
- Color Temperature (CCT):** 3000K dimmed to 1800K
- Color Consistency:** Range within a 3-MacAdam Ellipse
- Color rendering (CRI):** 90 CRI

Driver

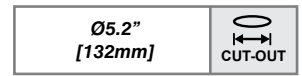
- Dimming:** 1% dimming standard with 0.1% option
Dimmer switch must be capable of dimming less than 5% (Lutron DIVA is recommended)
- Ripple:** Industry leading Low ripple
- Efficiency:** Power Factor >0.9
Efficiency over 85%
Class 2 output for safety
- Installation:** Small Footprint allows retrofit installations

Installation

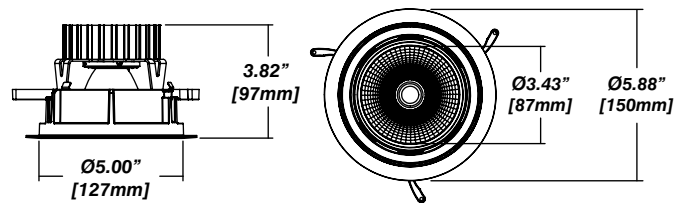
- For new and retrofit installations
- Simple connection between fixture and driver via quick connect

Construction / Finish

- Satin powder coated finish
- Custom finishes are available
- Cast Aluminum Trim
- Made in Canada

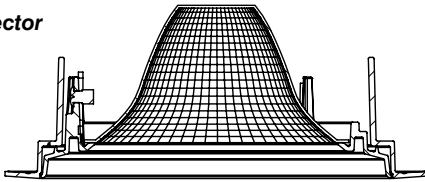


Artemis 3 Fixed Downlight

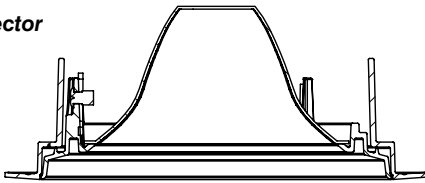


Reflector

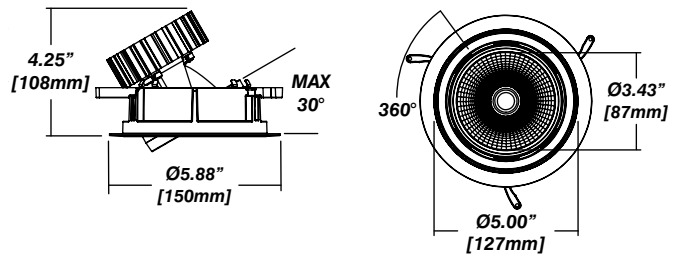
Faceted Reflector



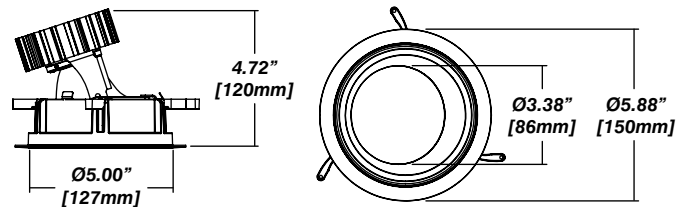
Faceted Reflector



Artemis 3 Adjustable



Artemis 3 Wall Wash



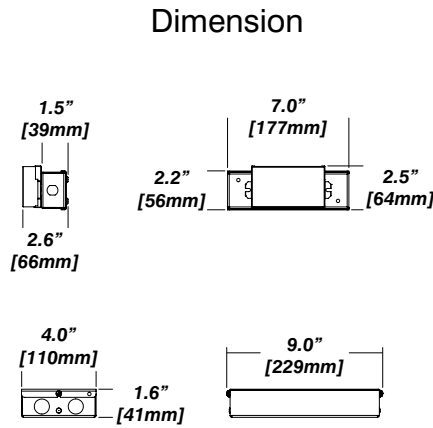
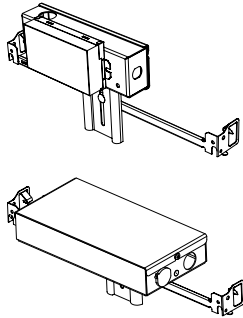
ARTEMIS 3 WD

RECESSED DOWNLIGHT W/ WARM DIM



Housing Options

Standard Senso Housing - 910

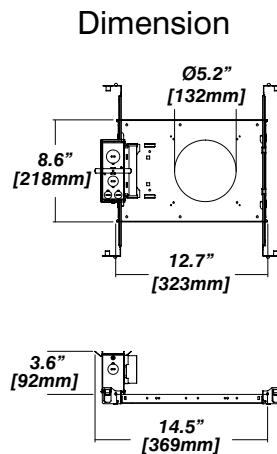
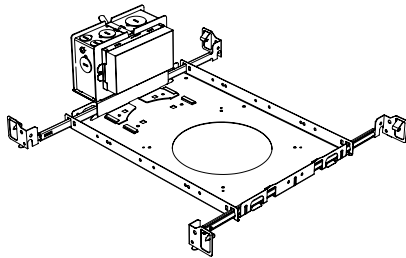


Included

Unless specified otherwise, this is provided as standard

- Driver with enclosure**
- Galvanized steel enclosure
- Installation**
- Laying on top of ceiling
 - Remote from fixture
 - Hanger bar and mount included

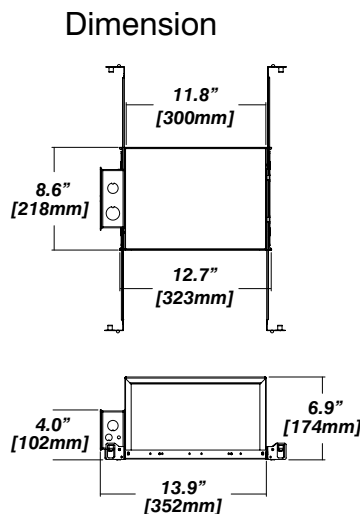
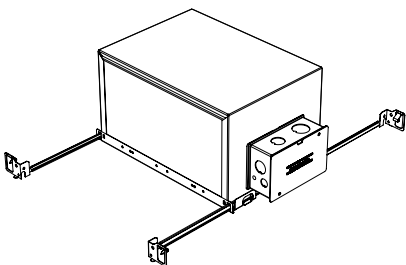
New Construction - 915



Included

- Plaster Frame**
- Galvanized steel construction with cut-out
- Bar hanger**
- Length: from 14-3/16" to 26"
- Outlet Box**
- Outlet Box Included

IC Housing - 920



Included

- IC Housing**
- Galvanized steel construction
 - Airtight
 - Includes gasketed junction box
- Plaster Frame**
- Galvanized steel construction
- Bar hanger**
- Length: from 14-3/16" to 26"

Note: use only with LED modules up to 1500lm

