



**Helios 1 - LED Tracklight.** Well-balanced, versatile and attractive is the simplest way to describe Senso Helios. With the variety of choices for accessories, technology and light sources the Helios is the perfect choice when stylish track options are required by your design.

## Ordering Code

Fixture	<input type="text"/>	<input type="text"/>	<input type="text"/>	<input type="text"/>	<input type="text"/>	<input type="text"/>	<input type="text"/>	<input type="text"/>	<input type="text"/>
	1	2	3	4	5	6	7	8	9
Driver	<input type="text"/>	<input type="text"/>	<input type="text"/>	<input type="text"/>					
	1	2	3	4					

## Product Specifications

**SAMPLE:** Fixture **856 - A90 - 618 - 30 - 30 - 00 - 02 - 08 - 03** | Driver **STD - 120 - A90 - 30**

1 - Model	2 - LED	3 - Optic	4 - CCT	5 - Lumen	6 - Accessory	7 - Finish
<b>855</b> · Single phase <b>856</b> · Dual phase	<b>A90</b> · Accuracy	<b>618</b> · 18° <b>630</b> · 30° <b>645</b> · 45° <b>660</b> · 60°	<b>25</b> · 2500K <b>27</b> · 2700K <b>30</b> · 3000K <b>35</b> · 3500K <b>40</b> · 4000K <b>65</b> · 6500K	<b>07</b> · 700 (6.5W) <b>10</b> · 1000 (9.3W) <b>13</b> · 1300 (12.5W) <b>20</b> · 2000 (20.2W) <b>30</b> · 3000 (32.7W) <b>40</b> · 4000 (34.2W)	<b>00</b> · No Accessory <b>BD</b> · Barndoor <b>HO</b> · Honeycomb <sup>*1</sup>	<b>01</b> · White <b>02</b> · Black <b>08</b> · Silver <b>XX</b> · Custom
8 - Baffle Color	9 - Acrylic Ring	1 - Driver	Dim Level	2 - Voltage	3 - LED	4 - Lumen
<b>01</b> · White <b>02</b> · Black <b>08</b> · Silver <b>XX</b> · Custom	<i>Standard</i> <b>01</b> · White <b>02</b> · Black <b>07</b> · Clear <b>09</b> · Bronze <b>10</b> · Frosted <b>XX</b> · None <sup>*1</sup>	<b>STD</b> · Non Dimming <b>LCS</b> · 0 - 10 Volt Protocol <b>DIM</b> · Phase <sup>*2</sup>	N/A 1% 1%	<b>120</b> · 120V <b>277</b> · 277V <sup>*3</sup>	Same as Fixture	Same as Fixture

\*1 No acrylic ring with honeycomb

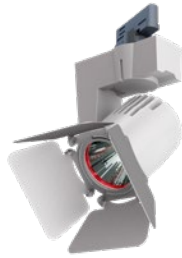
\*2 120V only

\*3 Only available with Dual Phase

## Accessories

### Barn-door

- Limits the glare and allows you to control the direction of the light beam
- Fixed to the front ring by bending tabs
- Flaps can be adjusted and lock in place



### Honeycomb Mesh

- 95% open area with 45° cut-off
- Made from cold-rolled steel
- Black polymer coating with eggshell finish



### Fixture, Baffle and Ring



Helios 1 has 3 components which can be configured in different colors.

- Fixture finish
- Baffle
- Acrylic ring

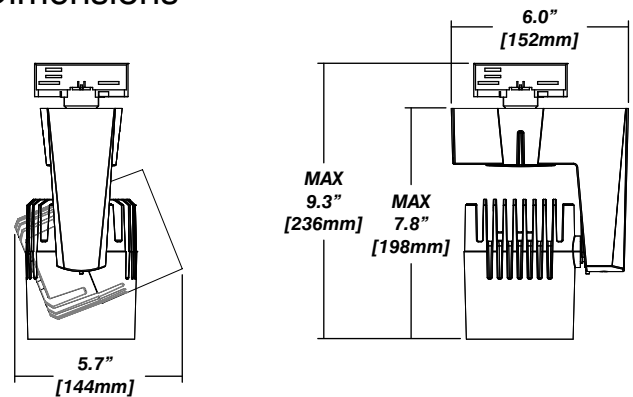
## General

- 350° + rotation
- 0° to 130° tilt and lock
- Includes track adapter (Available in 2 circuits)  
Contact us for track compatibility

## Construction / Finish

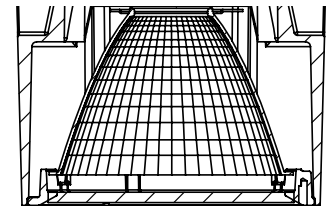
- Cast aluminum
- High quality satin powder coat finish in Senso specific colors
- Made in Canada
- Weight 1.3 kg [2.8 lbs]

## Dimensions



## Reflector

Senso metal spun faceted reflectors are specifically designed to retain as much light as possible. This results in a more power efficient fixture with a higher delivered lumen.



SENSO's in-house photometric testing ensures that our lighting design can match your needs precisely. Our Goniophotometer and testing lab produces on-demand photometry files based on any specified fixture, including LM-79 Test reports, IES Files, and CRI/CCT measurements. See [SENSOlighting.com](http://SENSOlighting.com) for more information.

*\*Full photometric Reports and IES files available for every configuration*

## LED Module Performance

**Output:** Up to 150 lumen/Watt

**Efficacy:** Color consistency within a 3-MacAdam Ellipse

**CCT:** 2500K - 6500K

**Color Rendering:** 90+ CRI

**Min. R Values:** R<sup>9</sup> - 60 R<sup>1</sup> - 90 R<sup>9</sup> - 100

## Driver and Power Consumption

**Dimming:** 1% dimming standard

**Ripple:** Industry leading Low ripple

**Efficiency:** Power Factor >0.9

Efficiency over 85%

Class 2 output for safety

**Installation:** Fixture Mounted

Lumen Option	700lm	1000lm	1500lm	2000lm	3000lm	4000lm
Fixture Wattage	6.5W	9.3W	12.5W	20.2W	32.7W	34.2W
Delivered Lumen	656lm	1035lm	1347lm	1917lm	2741lm	

## Color Metrics

### TM 30-15

Our clients deserve the best information possible about their lighting choices. That's why SENSO has invested in the Illuminating Engineering Society (IES) TM 30-15, a new system that measures an LED light source's color rendering properties. Using SENSO's state-of-the-art goniophotometer, this method identifies the optimal light source for your project and helps evaluate the trade-offs between efficacy and color rendering. SENSO can provide TM 30-15 data for all of our products.

*\*Full Color Metric Info Available at [SENSOlighting.com](http://SENSOlighting.com)*

## Helios 1 Light Distribution

