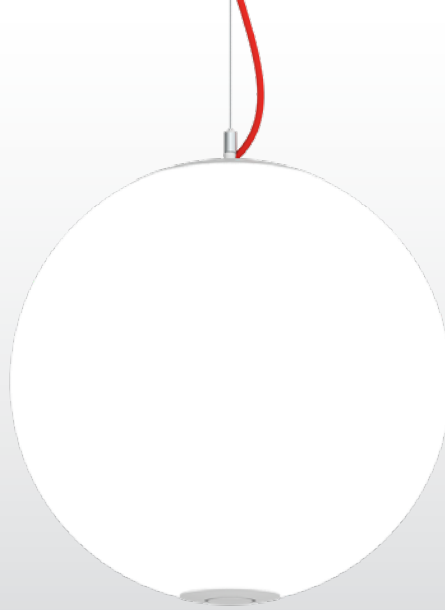


# HERA

PENDANT W/ WARM DIM



**Hera - Acrylic Globe Pendant Light Fixture.** The Hera is a timeless classic, with modern efficiency. This LED pendant radiates warmth, and provides even light distribution from the LED light source.

## Ordering Code

Fixture

Driver

## Product Specifications

**SAMPLE:** Fixture **710 - A90 - 30 - 01** | Driver **951 - 01 - 00 - 01 - STD - 120 - A90 - 07**

1 - Model	2 - LED	3 - CCT	4 - Bottom Cap	1 - Canopy Style	2 - Canopy Color
<b>710</b> · 10" 700lm (4.5W) <b>712</b> · 12" 1000lm (6.6W) <b>716</b> · 16" 1300lm (9.5W) <b>720</b> · 20" 1500lm (10.6W)	<b>WD</b> · 90 CRI Warm Dim	<b>30</b> · 3000K dimmed to 1800K	<b>01</b> · White <b>XX</b> · Custom	<b>951</b> · Round <b>952</b> · Square	<b>01</b> · White <b>02</b> · Black <b>08</b> · Silver <b>XX</b> · Custom
3 - Suspension (6' incl.)	4 - Feed Cable	5 - Driver	Dim Level	Dim Level	6 - Voltage
<b>00</b> · Feed Cable <b>01</b> · 1 Aircraft + Feed Cable <b>03</b> · Solid Stem (6' Max) Specify length in inches	<b>01</b> · White <b>02</b> · Black <b>03</b> · Clear <b>XX</b> · Custom	<b>STD</b> · Non Dimming <b>LCS</b> · 0 - 10 Volt Protocol <b>DIM</b> · Phase*1 <b>ELDOLC</b> · EldoLED 0 - 10 Volt*2 <b>DALI</b> · Dali Protocol*2 <b>LUTES</b> · Hilume Ecodigital*2	N/A 1% 1% 0.1% 0.1% 1%	<b>LUT2W</b> · 2 Wire for phase*1/2 <b>LUT5S</b> · 5 Series Eco System*2 <b>DMX</b> · Senso*3 <b>EMG</b> · Emergency Driver*3/4 <b>CSMB</b> · Casambi Wireless Control*3/4	1% 5% 1% 1% 1%
7 - LED	8 - Lumen	*1 120V only *2 requires square canopy *3 remote mount *4 second driver required *5 not available with DALI, Lutron or DMX			
Same as Fixture	Same as Fixture	Project : _____ Quantity : _____ Type : _____ Notes : _____			

## Light Engine

- Output:** up to 1500lm
- High Efficacy:** up to 98 lumen/Watt
- Color Temperature (CCT):** 3000K dimmed to 1800K
- Color Consistency:** Range within a 3-MacAdam Ellipse
- Color rendering (CRI):** 90 CRI

## Driver

- Dimming:** 1% dimming standard with 0.1% option  
Dimmer switch must be capable of dimming less than 5% (Lutron DIVA is recommended)
- Ripple:** Industry leading Low ripple
- Efficiency:** Power Factor >0.9  
Efficiency over 85%  
Class 2 output for safety
- Installation:** Small Footprint allows retrofit installations

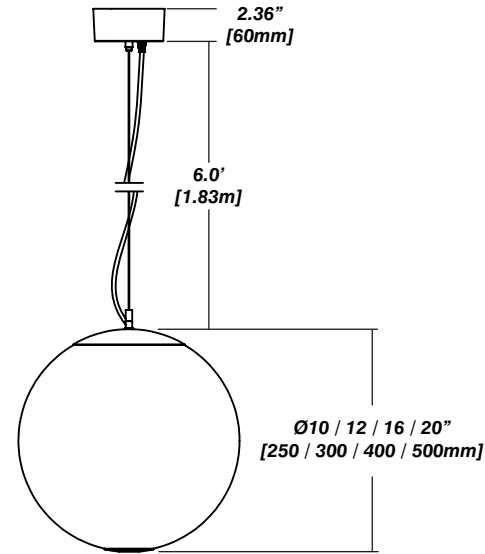
## Installation

- Suspended using aircraft cable. Fully height adjustable
- Factory assembled for easy and fast installation
- Canopy included, fits on standard junction box

## Construction / Finish

- Uninterrupted acrylic sphere
- Height adjustable aircraft cable suspension system
- Aircraft cable and electric wire included

## Dimensions



## Canopy

### Round Canopy

W - Ø5.17" [131.24 mm]  
H - 2.36" [60mm]



### Square Canopy

W/L - 5.57" [141.5mm]  
H - 2.28" [58mm]



## Suspension

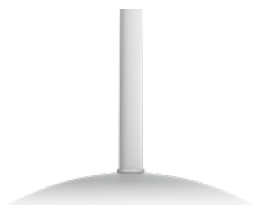
### Suspended by Feed Cable



### Single Aircraft Cable



### Suspended by Solid Stem



## Bottom Cap

- High quality machined aluminum
- Available in durable custom finishes

