

**Hera - Acrylic Globe Pendant Light Fixture.** The Hera is a timeless classic, with modern efficiency. This LED pendant radiates warmth, and provides even light distribution from the LED light source.

## Ordering Code

Fixture

Driver

## Product Specifications

**SAMPLE:** Fixture **710 - A90 - 27 - 01** | Driver **951 - 01 - 00 - 01 - STD - 120 - A90 - 07**

1 - Model	2 - LED	3 - CCT	4 - Bottom Cap	1 - Canopy Style	2 - Canopy Color	3 - Suspension (6' incl.)
<b>710</b> · 10" 700lm (4.5W)	<b>A90</b> · 90 CRI	<b>25</b> · 2500K	<b>01</b> · White	<b>951</b> · Round	<b>01</b> · White	<b>00</b> · Feed Cable
<b>712</b> · 12" 1000lm (6.6W)		<b>27</b> · 2700K	<b>XX</b> · Custom	<b>952</b> · Square	<b>02</b> · Black	<b>01</b> · 1 Aircraft + Feed Cable
<b>716</b> · 16" 1300lm (9.5W)		<b>30</b> · 3000K			<b>08</b> · Silver	<b>03</b> · Solid Stem (6' Max)
<b>720</b> · 20" 1500lm (10.6W)		<b>35</b> · 3500K			<b>XX</b> · Custom	<i>Specify length in inches</i>
		<b>40</b> · 4000K				
		<b>65</b> · 6500K				

4 - Feed Cable	5 - Driver	Dim Level	Dim Level	6 - Voltage	7 - LED	8 - Lumen
<b>01</b> · White	<b>STD</b> · Non Dimming	N/A	<b>LUT2W</b> · 2 Wire for phase <sup>*1/2</sup>	<b>120</b> · 120V	Same as Fixture	Same as Fixture
<b>02</b> · Black	<b>LCS</b> · 0 - 10 Volt Protocol	1%	<b>LUT5S</b> · 5 Series Eco System <sup>*2</sup>	<b>277</b> · 277V		
<b>03</b> · Clear	<b>DIM</b> · Phase <sup>*1</sup>	1%	<b>DMX</b> · Senso <sup>*3</sup>	<b>347</b> · 347V <sup>*3/5</sup>		
<b>XX</b> · Custom	<b>ELDOLC</b> · EldoLED 0 - 10 Volt <sup>*2</sup>	0.1%	<b>EMG</b> · Emergency Driver <sup>*3/4</sup>			
	<b>DALI</b> · Dali Protocol <sup>*2</sup>	0.1%	<b>CSMB</b> · Casambi Wireless Control <sup>*3/4</sup>			
	<b>LUTES</b> · Hilume Ecodigital <sup>*2</sup>	1%				

\*1 120V only

\*2 requires square canopy

\*3 remote mount

\*4 second driver required

\*5 not available with DALI, Lutron or DMX

Project : \_\_\_\_\_

Quantity : \_\_\_\_\_

Type : \_\_\_\_\_

Notes : \_\_\_\_\_

## Light Engine

- Output:** up to 1500lm
- High Efficacy:** up to 150 lumen/Watt
- Color Options (CCT):** 2700K, 3000K, 3500K, or 4000K
- Color Consistency:** Range within a 1 x 2 MacAdam Ellipse
- Color rendering (CRI):** 90 CRI

## Canopy

### Round Canopy

W - Ø5.17" [131.24 mm]  
H - 2.36" [60mm]



### Square Canopy

W/L - 5.57" [141.5mm]  
H - 2.28" [58mm]



## Suspension

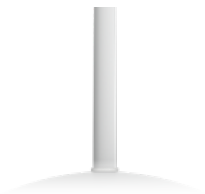
### Suspended by Feed Cable



### Single Aircraft Cable



### Suspended by Solid Stem



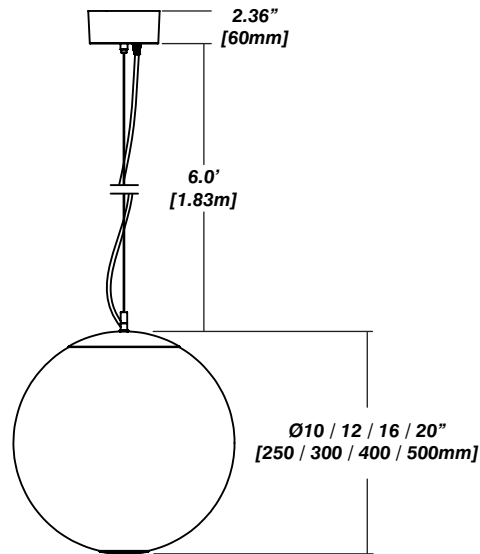
## Installation

- Suspended using aircraft cable. Fully height adjustable
- Factory assembled for easy and fast installation
- Canopy included, fits on standard junction box

## Construction / Finish

- Acrylic shade
- Height adjustable aircraft cable suspension system
- Aircraft cable and electric wire included

## Dimensions



## Bottom Cap

- High quality machined aluminum
- Available in durable custom finishes

