

# LETO 11 A

ASYMMETRIC LED DOWNLIGHT



**Leto 11 A - Asymmetric Pendant LED Light.** Leto 11 A is ideal when you need to draw attention to a wall mounted subject. It is best suited for use in Art Galleries, Museums, or to accentuate home decor.

## Ordering Code

Fixture	<b>695A</b>		--					
	1	2	3	4	5	6	7	8
Driver							--	--
	1	2	3	4	5	6	7	8

## Product Specifications

**SAMPLE:** Fixture **695A - A90 - --- - 27 - 07 - DL - 08 - 08** | Driver **952 - 01 - 00 - 01 - LCS - 120 - A90 - 07**

1 - Model	2 - LED	3 - Optic	4 - CCT	5 - Lumen	6 - Accessory
<b>695A</b> · Leto 11 A	<b>A90</b> · Accuracy	Leto 11 A is equipped with a fixed beam spread. For other optics please contact SENS0.	<b>25</b> · 2500K <b>27</b> · 2700K <b>30</b> · 3000K <b>35</b> · 3500K <b>40</b> · 4000K <b>65</b> · 6500K	<b>07</b> · 700 (6.5W) <b>10</b> · 1000 (9.3W) <b>15</b> · 1500 (12.5W)	<b>DL</b> · Diffusing Lens

7 - Body Color		8 - Baffle Color		1 - Canopy Style	2 - Canopy Color		3 - Suspension (6' incl.)
<i>Standard</i> <b>01</b> · White <b>02</b> · Black <b>08</b> · Silver	<i>Premium</i> <b>52</b> · Mocha <b>53</b> · Charcoal <b>54</b> · Cerulean <b>55</b> · Firebrick <b>XX</b> · RAL	<i>Standard</i> <b>01</b> · White <b>02</b> · Black <b>08</b> · Silver	<i>Premium</i> <b>52</b> · Mocha <b>53</b> · Charcoal <b>54</b> · Cerulean <b>55</b> · Firebrick <b>XX</b> · RAL	<b>951</b> · Round <b>951F</b> · Round Flangeless <b>952</b> · Square	<i>Standard</i> <b>01</b> · White <b>02</b> · Black <b>08</b> · Silver	<i>Premium</i> <b>52</b> · Mocha <b>53</b> · Charcoal <b>54</b> · Cerulean <b>55</b> · Firebrick <b>XX</b> · RAL	<b>02</b> · 2 Aircraft + Feed Cable <b>03</b> · Solid Stem (6' MAX) <b>04</b> · Hang Straight Solid Stem <b>05</b> · 2 Powered Aircraft <sup>*1</sup> <i>Contact Senso for custom length</i>

4 - Feed Cable	5 - Driver	Dim Level	Dim Level	6 - Voltage	7 - LED	8 - Lumen
<b>00</b> · None <sup>*1</sup> <b>01</b> · White <b>02</b> · Black <b>03</b> · Clear <b>XX</b> · Custom	<b>STD</b> · Non Dimming <b>LCS</b> · 0 - 10 Volt Protocol <b>DIM</b> · Phase <sup>*2</sup> <b>ELDOLC</b> · EldoLED 0 - 10 Volt <sup>*3</sup> <b>DALI</b> · Dali Protocol <sup>*3</sup> <b>LUTES</b> · Hilume Ecodigital <sup>*3</sup>	N/A 1% 1% 0.1% 0.1% 1%	<b>LUT2W</b> · 2 Wire for phase <sup>*2/3</sup> <b>LUT5S</b> · 5 Series Eco System <sup>*3</sup> <b>DMX</b> · Senso <sup>*5</sup> <b>EMG</b> · Emergency Driver <sup>*5/6</sup> <b>CSMB</b> · Casambi Wireless Control <sup>*5/6</sup>	1% 5%    	<b>120</b> · 120V <b>277</b> · 277V <b>347</b> · 347V <sup>*4</sup>	Same as Fixture Same as Fixture

\*1 no feed cable color option for **05** - 2 Powered Aircraft  
\*2 120V only  
\*3 requires square canopy

\*4 remote mount driver  
\*5 second driver required  
\*6 not available with ELDO, Lutron or DMX

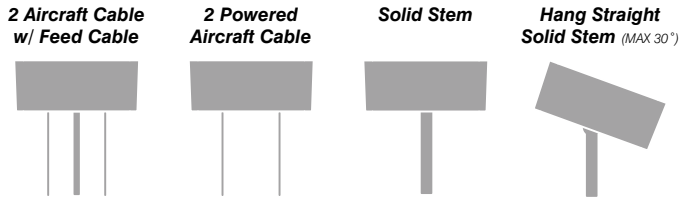
# LETO 11 A

ASYMMETRIC LED DOWNLIGHT

## Canopy / Suspension

**Round Canopy:** W - Ø5.17" [131.24 mm] / H - 2.36" [60mm]

**Square Canopy:** W/L - 5.67" [144mm] / H - 2.28" [58mm]



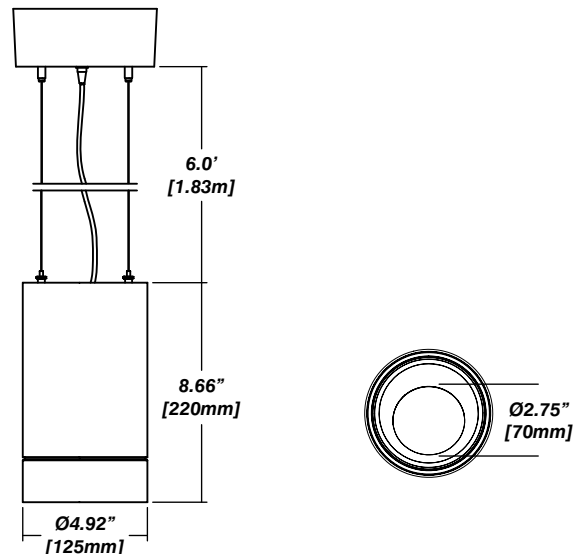
## Installation

- The included canopy fits on a standard junction box
- Height adjustable aircraft cable and feed cable included
- Electrical feed cable included

## Construction / Finish

- High quality, scratch resistant powder coated finish in standard, premium or custom colors
- Aluminum extruded Body
- Made in Canada

## Dimensions



## Reflector

Senso metal spun faceted reflectors are specifically designed to retain as much light as possible. This results in a more power efficient fixture with a higher delivered lumen.



## LED Module Performance

**Output:** Up to 150 lumen/Watt

**Efficacy:** Color consistency within a 3-MacAdam Ellipse

**CCT:** 2500K - 6500K

**Color Rendering:** 90+ CRI

**Min. R Values:** R<sup>9</sup> - 60 R<sup>f</sup> - 90 R<sup>9</sup> - 100

## Driver and Power Consumption

**Dimming:** 1% dimming standard with 0.1% option  
Casambi wireless control available

**Ripple:** Industry leading Low ripple

**Efficiency:** Power Factor >0.9

Efficiency over 85%

Class 2 output for safety

**Installation:** Remote mounted

Lumen Option	700lm	1000lm	1500lm
Fixture Wattage	6.5W	9.3W	12.5W
Delivered Lumen	656lm	1035lm	1347lm

## Photometrics

Senso's in-house photometric testing ensures that our lighting design can match your needs precisely. Our Goniophotometer and testing lab produces on-demand photometry files based on any specified fixture, including LM-79 Test reports, IES Files, and CRI/CCT measurements. See [Sensolighting.com](http://Sensolighting.com) for more information.

*\*Full photometric Reports and IES files available for every configuration*

## Color Metrics

### TM 30-15

Our clients deserve the best information possible about their lighting choices. That's why Senso has invested in the Illuminating Engineering Society (IES) TM 30-15, a new system that measures an LED light source's color rendering properties. Using Senso's state-of-the-art goniophotometer, this method identifies the optimal light source for your project and helps evaluate the trade-offs between efficacy and color rendering. Senso can provide TM 30-15 data for all of our products.

*\*Full Color Metric Info Available at [Sensolighting.com](http://Sensolighting.com)*

# LETO 11

FAMILY

