

# LETO 11 S Wet

WET RATED SURFACE MOUNT LED DOWNLIGHT



**Leto 11 S Wet - Wet Rated Surface Mount LED Light.** Leto 11 S is a large cylinder surface mounted LED designed as an all purpose light. It is perfect for creating even light throughout your space without distracting from your design. Sealed clear or frosted lenses prevent the entry of water thus allowing greater versatile design options both inside and outside.

## Ordering Code

Fixture	<b>688</b>							
	1	2	3	4	5	6	7	8
Driver			--	--				
	1	2	3	4				

## Product Specifications

**SAMPLE:** Fixture **688 - A90 - 610 - 27 - 07 - CL - 08 - 02** | Driver **STD - 120 - A90 - 07**

1 - Model	2 - CRI/LED	3 - Optic	4 - CCT	5 - Lumen	6 - Accessory	7 - Body Color
<b>688</b> · Leto 11 S Wet	<b>A90</b> · Accuracy 90+ CRI	<b>610</b> · 10° <b>618</b> · 18° <b>630</b> · 30° <b>645</b> · 45° <b>660</b> · 60°	<b>25</b> · 2500K <b>27</b> · 2700K <b>30</b> · 3000K <b>35</b> · 3500K <b>40</b> · 4000K <b>65</b> · 6500K	<b>07</b> · 700 <b>10</b> · 1000 <b>15</b> · 1500 <b>20</b> · 2000 <i>Wattage on page 3</i>	<b>CL</b> · Clear Lens <b>DL</b> · Diffusing Lens	<i>Standard</i> <b>01</b> · White <b>02</b> · Black <b>08</b> · Silver  <i>Premium</i> <b>52</b> · Mocha <b>53</b> · Charcoal <b>54</b> · Cerulean <b>55</b> · Firebrick <b>XX</b> · RAL

8 - Baffle Color	1 - Driver	Dim Level	Dim Level	2 - Voltage
<i>Standard</i> <b>01</b> · White <b>02</b> · Black <b>08</b> · Silver  <i>Premium</i> <b>52</b> · Mocha <b>53</b> · Charcoal <b>54</b> · Cerulean <b>55</b> · Firebrick <b>XX</b> · RAL	<b>STD</b> · Non Dimming <b>LCS</b> · 0 - 10 Volt Protocol <b>DIM</b> · Phase <sup>1/2</sup> <b>ELDOLC</b> · EldoLED 0 - 10 Volt <sup>2</sup> <b>DALI</b> · Dali Protocol <sup>2</sup>	N/A 1% 1% 0.1% 0.1%	<b>LUTES</b> · Hilume Ecodigital <sup>2</sup> <b>LUT2W</b> · 2 Wire for phase <sup>1/2</sup> <b>DMX</b> · SENSO <sup>2</sup> <b>EMG</b> · Emergency Driver <sup>2/3</sup> <b>CSMB</b> · Casambi Wireless Control <sup>2/3</sup>	<b>120</b> · 120V <b>277</b> · 277V <b>347</b> · 347V <sup>4</sup>

3 - LED	4 - Lumen
Same as Fixture	Same as Fixture

<sup>1</sup> 120V only  
<sup>2</sup> driver mounted remotely from fixture body and j-box  
<sup>3</sup> second driver required  
<sup>4</sup> not available with ELDO, Lutron or DMX

Project : \_\_\_\_\_  
 Quantity : \_\_\_\_\_  
 Type : \_\_\_\_\_  
 Notes : \_\_\_\_\_  
 \_\_\_\_\_  
 \_\_\_\_\_

# LETO 11 S Wet

WET RATED SURFACE MOUNT LED DOWNLIGHT



## Reflectors

Senso metal spun faceted reflectors are specifically designed to retain as much light as possible. This results in a more power efficient fixture with a higher delivered lumen.

**Faceted Reflector**



## Accessories

**Clear Lens**



**Diffusing Lens**



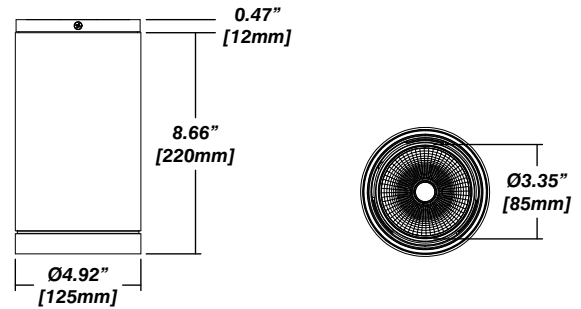
## Installation

- Mounting plate included
- Easy, single motion installation method
- Wet Rated from mounting surface down. Plenum/sofit space to be sealed

## Construction / Finish

- High quality, scratch resistant powder coated finish in standard, premium or custom colors
- Sealing ring color matched with baffle color
- GORE® vented shade
- Factory sealed aluminum extruded body for optimized elemental resistance
- Made in Canada

## Dimensions



# LETO 11 S Wet

WET RATED SURFACE MOUNT LED DOWNLIGHT



## Photometrics

Senso's in-house photometric testing ensures that our lighting design can match your needs precisely. Our Goniophotometer and testing lab produces on-demand photometry files based on any specified fixture, including LM-79 Test reports, IES Files, and CRI/CCT measurements. See [Sensolighting.com](http://Sensolighting.com) for more information.

*\*Full photometric Reports and IES files available for every configuration*

## Color Metrics

TM 30-15

Our clients deserve the best information possible about their lighting choices. That's why Senso has invested in the Illuminating Engineering Society (IES) TM 30-15, a new system that measures an LED light source's color rendering properties. Using Senso's state-of-the-art goniophotometer, this method identifies the optimal light source for your project and helps evaluate the trade-offs between efficacy and color rendering. Senso can provide TM 30-15 data for all of our products.

*\*Full Color Metric Info Available at [Sensolighting.com](http://Sensolighting.com)*

## LED Module Performance

**Output:** Up to 150 lumen/Watt

**Efficacy:** Color consistency within a 3-MacAdam Ellipse

**CCT:** 2500K - 6500K

**Color Rendering:** 90+ CRI

**Min. R Values:** R<sup>9</sup>- 60 R<sup>f</sup>- 90 R<sup>g</sup>- 100

## Driver and Power Consumption

**Dimming:** 1% dimming standard with 0.1% option  
Casambi wireless control available

**Ripple:** Industry leading Low ripple

**Efficiency:** Power Factor >0.9

Efficiency over 85%

Class 2 output for safety

**Installation:** Remote mounted

Lumen Option	700lm	1000lm	1500lm	2000lm
Fixture Wattage	6.5W	9.3W	12.5W	20.2W
Delivered Lumen	656lm	1035lm	1347lm	1917lm

## Leto Light Distribution: Reflector

