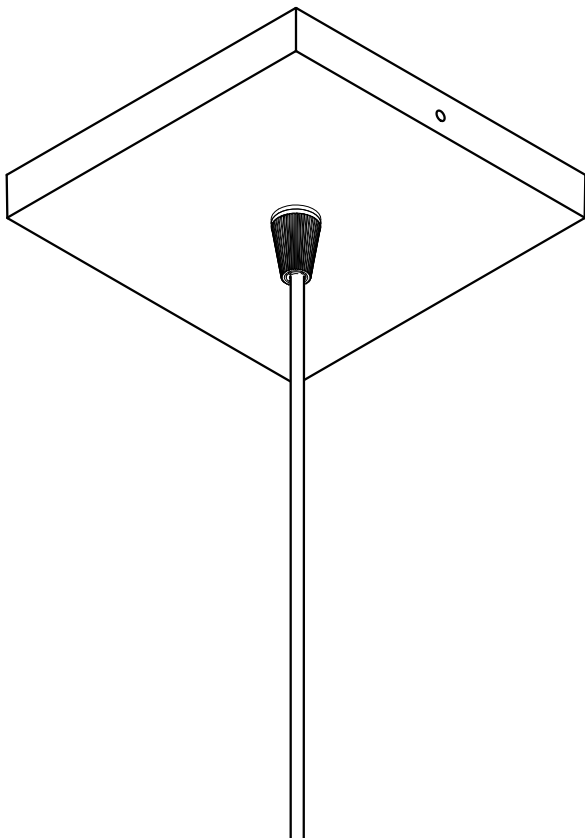


# LETO 11/44 Mini P

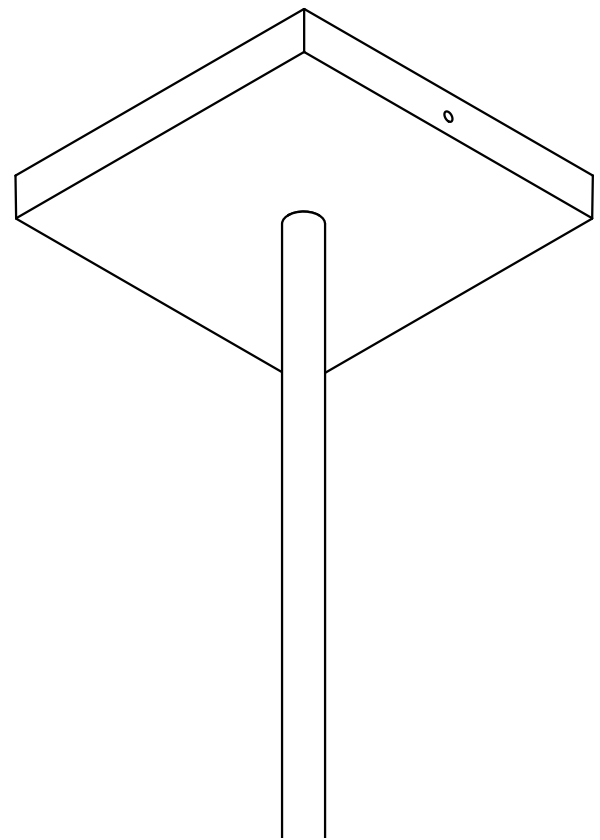
965 SLIM CANOPY

 **senso**  
by luminii

Feed Suspended **P2**



Solid Stem **P3**



## Read and follow these instructions before installing or maintaining this product

- This product is suitable for **DRY INDOOR LOCATIONS ONLY**
- Make sure this product is **NOT** on the same circuit as inductive loads, (e.g. fluorescent bulbs, discharge bulbs, ventilation fans, etc...)
- Allow air to flow freely around the fixture
- Do not switch on line voltage until all wiring is complete
- Incorrect wiring will result in irreparable damage to LED and power supply
- This product should only be installed by a licensed electrician

## Veillez lire et suivre ces instructions avant l'installation ou l'entretien de ce produit

- Ce produit convient pour une installation **DANS UN ENDROIT SEC SEULEMENT**
- Assurer vous que des charges inductives ne se retrouvent pas sur le même circuit que ce produit, (i.e. fluorescent, ampoules à décharge, ventilateurs, etc...)
- Permettre à l'air de circuler librement autour du luminaire
- Compléter les branchements avant de mettre sous tension
- Un branchement incorrect créerait des dommages irréparables à l'alimentation et au DEL
- Ce produit devrait être uniquement installé par un électricien qualifié



## Warranty

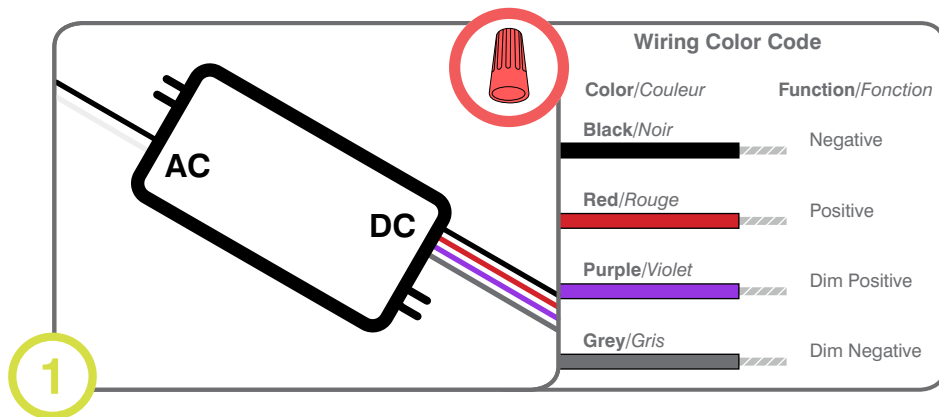
- This product must be installed in accordance with all applicable installation codes and ordinance
- Limited five (5) years warranty
- Warranty is void in the eventuality of unauthorized modifications and/or improper use

## Garantie

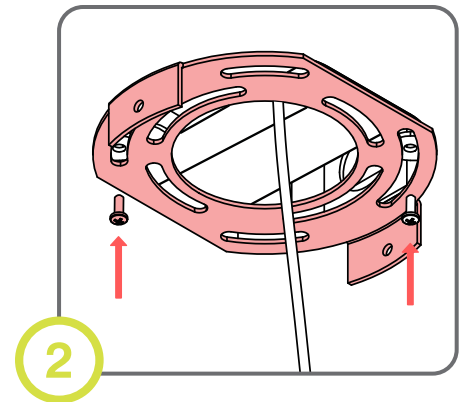
- Ce produit doit être installé conformément au code d'installation et autres normes applicables
- Garantie limitée de cinq (5) ans
- La garantie est non valide advenant une modification non autorisée ou un usage non approprié

# LETO 11/44 Mini P

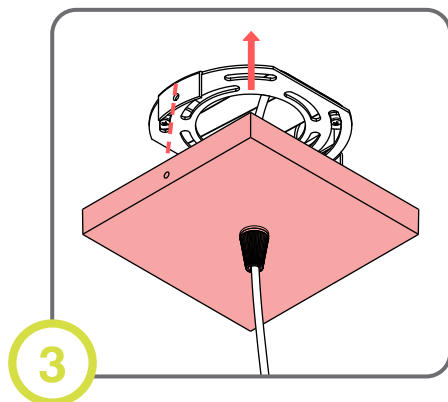
Pendant: Single Feed Cable



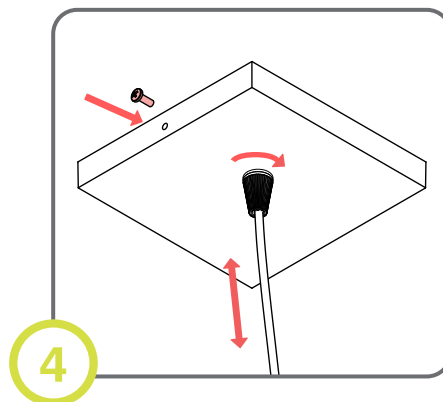
1 Make electrical connections. AC to ceiling and DC to fixture. Temperature Sensor (orange) is not used and should be capped.



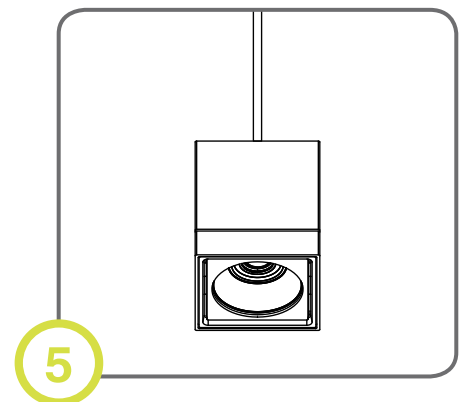
2 Place driver in junction box. Screw bracket onto junction box.



3 Line up canopy with crossbar's screw holes, slide onto ceiling.



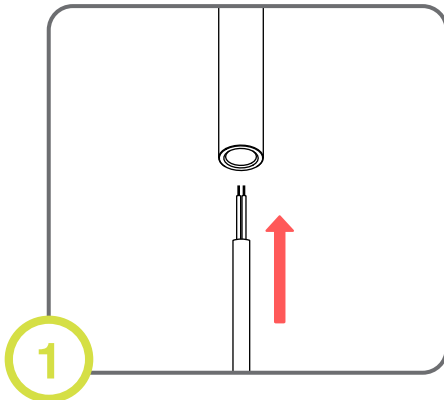
4 Secure canopy to junction box with two screws provided. Make adjustments to cable length, tighten cord grip cap.



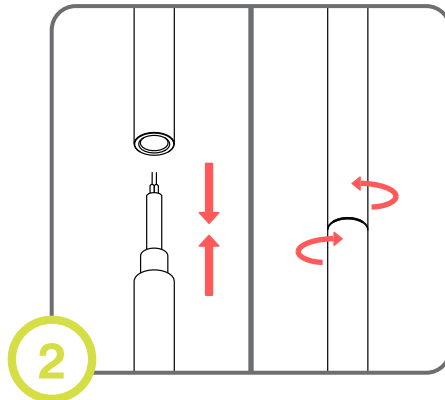
5 Straighten feed cable, removing any bends.

# LETO 11/44 Mini P

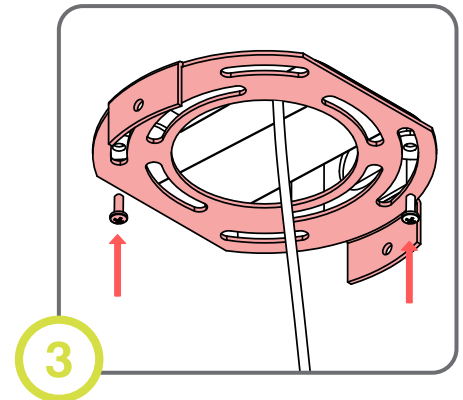
**Pendant: Solid Stem**



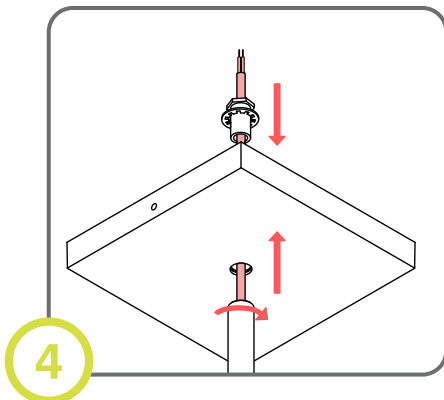
1 Feed the wires through stem. Screw stem to Leto 11 Mini head.



2 For each stem, add loctite to threads. Feed the wires through the other stem and screw each stem together.



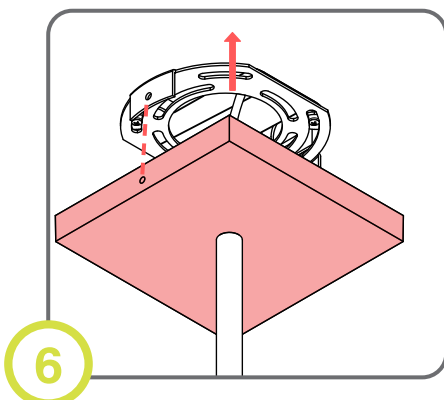
3 Place driver in junction box. Screw bracket onto junction box.



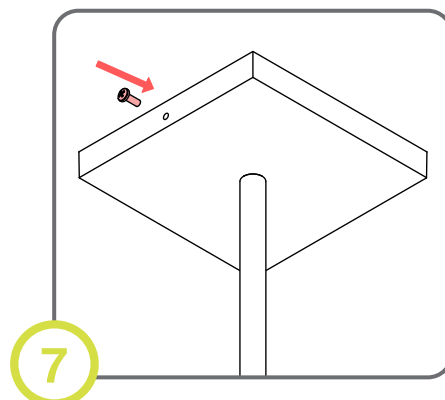
4 Re-assemble canopy with threaded nipple attached to the stem.

Wiring Color Code	
Color/Couleur	Function/Fonction
Black/Noir	Negative
Red/Rouge	Positive
Purple/Violet	Dim Positive
Grey/Gris	Dim Negative

5 Make electrical connections. AC to ceiling and DC to fixture. Temperature Sensor (orange) is not used and should be capped.



6 Line up canopy with crossbar's screw holes, slide onto ceiling.



7 Secure canopy to junction box with two screws provided.