

LETO 44 Mini T

TRACK LED SPOTLIGHT



Leto 44 Mini T - Track LED Spotlight. LETO 44 Mini T is a track version of the Medium Leto 44 Mini. It offers an articulating, short-stem spotlight combined with a versatile and efficient LED. Excels in display based spaces like galleries, industrial and retail.

Ordering Code

Fixture **664**

1 2 3 4 5 6 7 8

Driver

1 2 3 4

Product Specifications

SAMPLE: Fixture **664 - A90 - 617 - 27 - 07 - 00 - 01 - 01** | Driver **STD - 120 - A90 - 07**

1 - Model	2 - CRI/LED	3 - Optic	4 - CCT	5 - Lumen	6 - Accessory
664 · Leto 44 Mini Single Phase	A90 · 93+ CRI Accuracy	617 · 17° 630 · 30° 645 · 45°	25 · 2500K 27 · 2700K 30 · 3000K 35 · 3500K 40 · 4000K 65 · 6500K	07 · 700 (6.1W) 10 · 1000 (9.1W) 15 · 1500 (14W)	00 · No Accessory DL · Diffusing Lens HO · Honeycomb
665 · Leto 44 Mini Dual Phase					

7 - Body Color		8 - Baffle Color		1 - Driver	Dim Level	2 - Voltage	3 - CRI/LED	4 - Lumen
<i>Standard</i>	<i>Premium</i>	<i>Standard</i>	<i>Premium</i>	STD · Non Dimming	N/A	120 · 120V	Same as Fixture	Same as Fixture
01 · White	52 · Mocha	01 · White	52 · Mocha	LCS · 0 - 10 Volt Protocol	1%	277 · 277V		
02 · Black	53 · Charcoal	02 · Black	53 · Charcoal	DIM · Phase**	1%			
08 · Silver	54 · Cerulean	08 · Silver	54 · Cerulean					
	55 · Firebrick		55 · Firebrick					
	55 · Firebrick		55 · Firebrick					
	XX · RAL		XX · RAL					

*1 120V only

LETO 44 Mini T

TRACK LED SPOTLIGHT

LED Module Performance

- Output:** up to 1500lm
- High Efficacy:** up to 110 lumen/Watt
- Color Options (CCT):** 2500K, 2700K, 3000K, 3500K, 4000K, 6500K
- Color Consistency:** Range within a 3-MacAdam Ellipse
- Color rendering (CRI):** 93+ CRI & 50+ R9 Value

Driver and Power Consumption

- Dimming:** 1% dimming standard
- Ripple:** Industry leading Low ripple
- Efficiency:** Power Factor >0.9
Efficiency over 85%
Class 2 output for safety

Lumen Option	700lm	1000lm	1500lm
Fixture Wattage	6.1W	9.1W	14W
Delivered Lumen	668lm	1002lm	1441lm

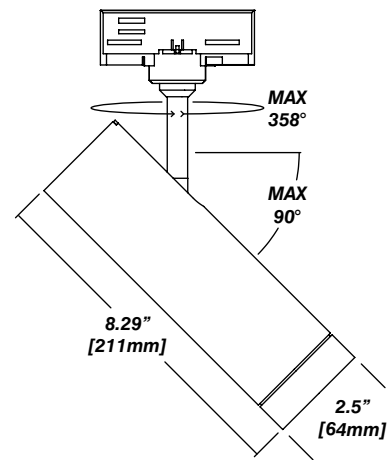
Installation

- 358° rotation
- 0° to 90° tilt
- Includes track adapter (single or dual phase)

Construction

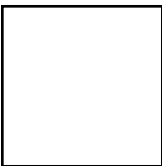
- Machined aluminum construction
- High quality, scratch resistant powder coated finish in standard, premium or custom colors
- Made in Canada

Dimensions

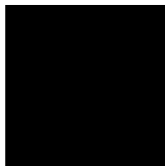


Standard Finishes

01 - White



02 - Black



08 - Silver



Premium Finishes

55 - Mocha



56 - Charcoal



57 - Cerulean



58 - Firebrick



BZ - Bronze



WN - Warm Nickel



AB - Aged Brass



Accessories

Frosted Lens



Honeycomb

