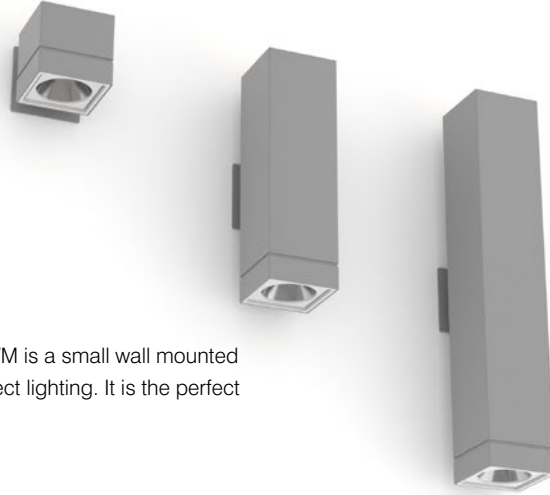


LETO 44 Mini WM

WALL MOUNT LED DOWNLIGHT



Leto 44 Mini WM - Wall Mount LED Downlight. Leto 44 Mini WM is a small wall mounted cylinder LED fixture designed to provide a space with discrete direct lighting. It is the perfect solution for creating subtle light in your space.

Ordering Code

Fixture	742								
	1	2	3	4	5	6	7	8	9
Driver					--	--			
	1	2	3	4	5	6			

Product Specifications

SAMPLE: Fixture **742 - S - A90 - 617 - 27 - 07 - 00 - 08 - 02** | Driver **951 - 01 - STD - 120 - A90 - 07**

1 - Model	2 - Size	3 - CRI/LED	4 - Optic	5 - CCT	6 - Lumen
742 · Leto 44 Mini Wall Mount	S · Small (73mm) M · Medium (209mm) L · Large (346mm)	A90 · Accuracy (93+ CRI) CT · Color Tuning ^{CT} (90 CRI) WD · Warm Dimming ^{WD} (90 CRI)	617 · 17° 624 · 24° 660 · 60°	25 · 2500K 27 · 2700K 30 · 3000K ^{WD} 35 · 3500K 40 · 4000K 65 · 6500K 2765 · 2700K - 6500K ^{CT}	07 · 700 (6.1W) ^{WD} 10 · 1000 (9.1W) ^{WD} 15 · 1500 (14W) ^{11CT}

7 - Accessory	8 - Body Color	9 - Baffle Color	1 - Canopy Style	2 - Canopy Color
00 · No Accessory DL · Diffusing Film HO · Honeycomb ^{**}	<i>Standard</i> 01 · White 02 · Black 08 · Silver <i>Premium</i> 52 · Mocha 53 · Charcoal 54 · Cerulean 55 · Firebrick BZ · Bronze WN · Warm Nickel AB · Aged Brass XX · RAL	<i>Standard</i> 01 · White 02 · Black 08 · Silver <i>Premium</i> 52 · Mocha 53 · Charcoal 54 · Cerulean 55 · Firebrick BZ · Bronze WN · Warm Nickel AB · Aged Brass XX · RAL	955 · Round Slim 965 · Square Slim 954 · Round Semi-Recessed	<i>Standard</i> 01 · White 02 · Black 08 · Silver <i>Premium</i> 52 · Mocha 53 · Charcoal 54 · Cerulean 55 · Firebrick BZ · Bronze WN · Warm Nickel AB · Aged Brass XX · RAL

3 - Driver ²	Dim Level	Dim Level	4 - Voltage	5 - CRI/LED	6 - Lumen
STD · Non Dimming ⁵ LCS · 0 - 10 Volt Protocol ⁵ DIM · Phase ^{2/5} ELDOLC · EldoLED 0 - 10 Volt ³	N/A 1% 1% 0.1%	DALI · Dali Protocol ³ LUTES · Hilume Ecodigital ³ LUT2W · 2 Wire for phase ^{2/3} CSMB · Casambi Wireless Control ^{13CT}	0.1% 1% 1% 1%	120 · 120V 277 · 277V 347 · 347V ^{3/4}	Same as Fixture Same as Fixture

*1 not available with small size

*2 120V only

*3 remote mount

*4 not available with DALI or Lutron drivers

Can be junction box mounted with **955** and **965**. See page 2 for details.



LETO 44 Mini WM

WALL MOUNT LED DOWNLIGHT



Light Engine: A90 Accuracy

- Output:** up to 1500lm
- High Efficacy:** up to 110 lumen/Watt
- Color Options (CCT):** 2500K, 2700K, 3000K, 3500K, 4000K, 6500K
- Color Consistency:** Range within a 3-MacAdam Ellipse
- Color rendering (CRI):** 93+CRI & 50+ R9 Value

Driver

- Dimming:** 1% dimming standard with 0.1% option
- Ripple:** Industry leading Low ripple
- Efficiency:** Power Factor >0.9
Efficiency over 85%
Class 2 output for safety

Light Engine: Warm Dimming

- Output:** 1300lm
- High Efficacy:** up to 98 lumen/Watt
- Color Temperature (CCT):** 3000K dimmed to 1800K
- Color Consistency:** Range within a 3-MacAdam Ellipse
- Color rendering (CRI):** 90 CRI

Driver

- Dimming:** 1% dimming standard with 0.1% option
Dimmer switch must be capable of dimming less than 5% (Lutron DIVA is recommended)
- Ripple:** Industry leading Low ripple
- Efficiency:** Power Factor >0.9
Efficiency over 85%
Class 2 output for safety
- Installation:** Small Footprint allows retrofit installations

Light Engine: Color Tuning

- Output:** up to 1300lm
- High Efficacy:** up to 95 lumen/Watt
- Color Temperature (CCT):** 2700K up to 6500K
- Color Consistency:** Range within a 3-MacAdam Ellipse
- Color rendering (CRI):** 90 CRI

Driver

- Dimming:** Dali and DMX
- Ripple:** Industry leading Low ripple
- Efficiency:** Power Factor >0.9
Efficiency over 85%
Class 2 output for safety
- Installation:** Small Footprint allows retrofit installations

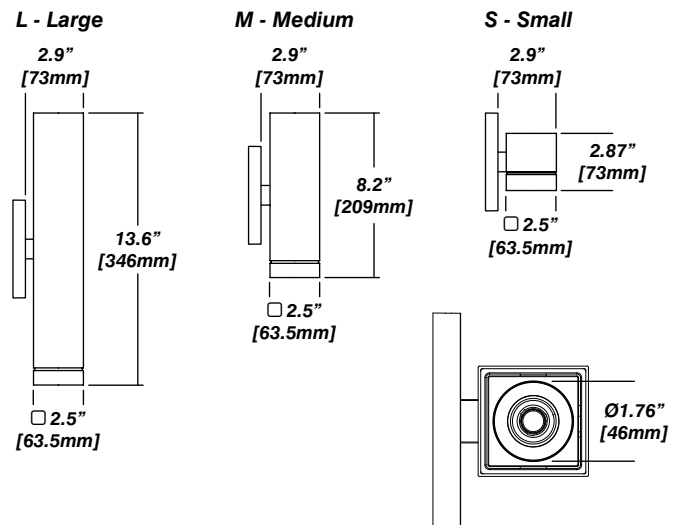
Installation

- Pre-assembled for quick installation
- Low profile against the wall gives a floating appearance

Construction

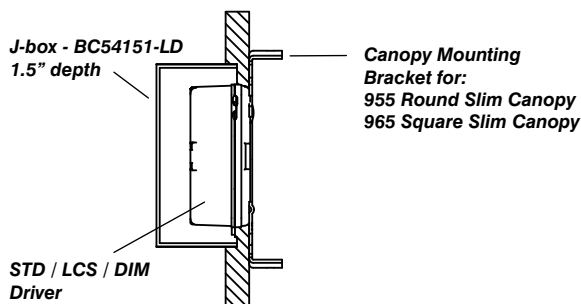
- Machined aluminum construction
- Powder coated in standard or premium finishes
- Made in Canada

Dimensions



Driver Placement

- **Standard, LCS, and Phase dimming** drivers may be mounted in the junction box.
- Minimum volume required to mount drivers in junction box:
70mm x 40mm x 30mm



LETO 44 Mini WM

WALL MOUNT LED DOWNLIGHT

Accessories

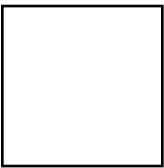
Diffusing Film

Honeycomb



Standard Finishes

01 - White



02 - Black



08 - Silver



Premium Finishes

55 - Mocha



56 - Charcoal



57 - Cerulean



58 - Firebrick



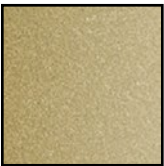
BZ - Bronze



WN - Warm Nickel

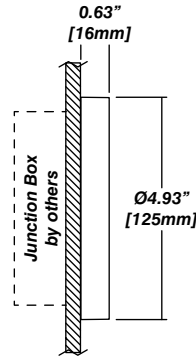


AB - Aged Brass

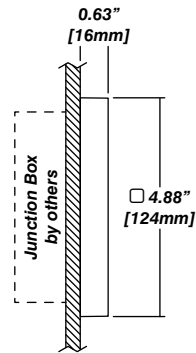


Canopy

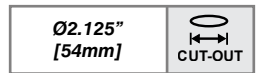
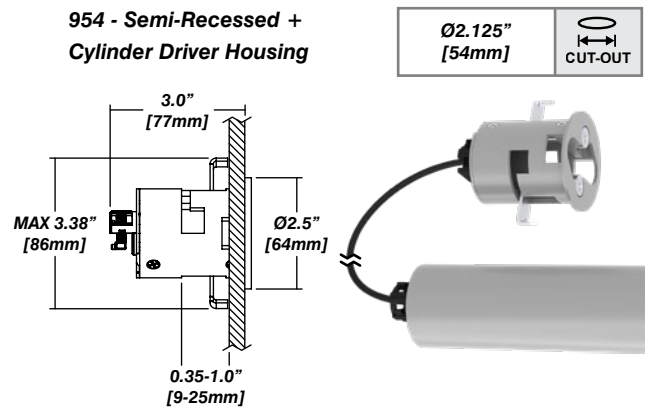
955 - Round Slim



965 - Square Slim



954 - Semi-Recessed +
Cylinder Driver Housing



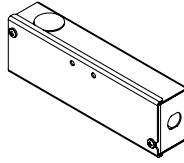
LETO 44 Mini WM

WALL MOUNT LED DOWNLIGHT

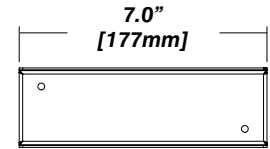
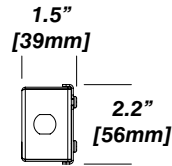
Senso Driver Housings

910 - Single Remote Driver Housing

- Fits Standard, LCS or DIM drivers
- Galvanized steel enclosure
- Installed in remote location

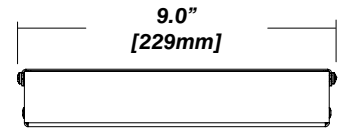
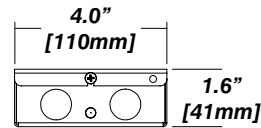
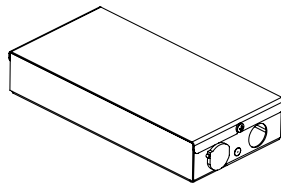


Dimensions



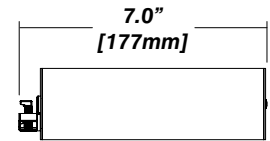
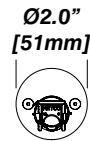
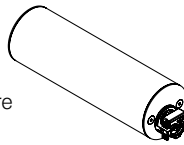
910 - Double Remote Driver Housing

- Fits all drivers
- Galvanized steel enclosure
- Installed in remote location



954 - Cylinder Driver Housing

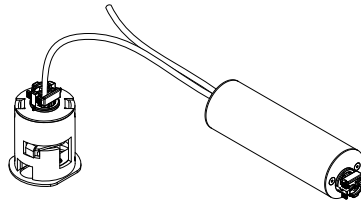
- Supplied standard with every semi-recessed canopy
- Fits Standard, LCS or DIM drivers
- Extruded aluminum enclosure with strain relief to fixture
- Installed in ceiling beside canopy



954 Driver Layouts

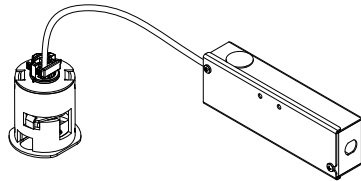
954 with Cylinder Driver Housing

- Installed in ceiling beside canopy
- Driver mounted inside cylinder
- Dimming control wired from Cylinder Driver Housing



954 with 910 Single Driver Housing

- Driver remotely mounted inside 910 housing
- Fed to 910 housing
- WAGO connector for DC side
- Thermal protector for high temperatures



954 with 910 Double Driver Housing

- Driver remotely mounted inside 910 housing
- Fed to 910 housing
- WAGO connector for DC side
- Thermal protector for high temperatures

