

LETO 44 P UD LRG

DIRECT AND INDIRECT LED PENDANT



Leto 44 P UD LRG - Direct and Indirect LED Pendant. Solid, striking and bold, the Leto 44 P UD LRG is the flagship of the Leto 44 Range with the added versatility of a secondary uplight.

Ordering Code

Fixture	723							
	1	2	3	4	5	6	7	8
Driver							--	--
	1	2	3	4	5	6	7	8

Product Specifications

SAMPLE: Fixture **723 - A90 - 615 - 27 - 0707 - 00 - 08 - 01** | Driver **952 - 01 - 02 - 01 - STD - 120 - A90 - 0707**

1 - Model	2 - LED	3 - Optic Direct	4 - CCT	5 - Lumen		6 - Accessory Direct
723 · Leto 44 Large Direct and Indirect Pendant	A90 · Accuracy	615 · 15° 630 · 30° 645 · 45° 660 · 60° <i>Fixed 40° indirect optic</i>	25 · 2500K 27 · 2700K 30 · 3000K 35 · 3500K 40 · 4000K 65 · 6500K	<i>Direct</i> 07 · 700 10 · 1000 15 · 1500	<i>Indirect</i> 07 · 700 10 · 1000 15 · 1500	00 · No Accessory DL · Diffusing Lens HO · Honeycomb SL · Solite Lens <i>Fixed Diffusing lens for indirect optic</i>

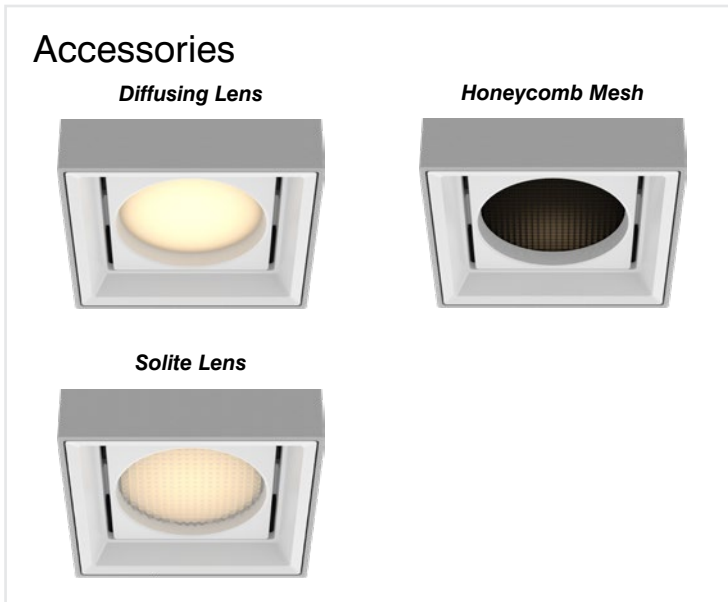
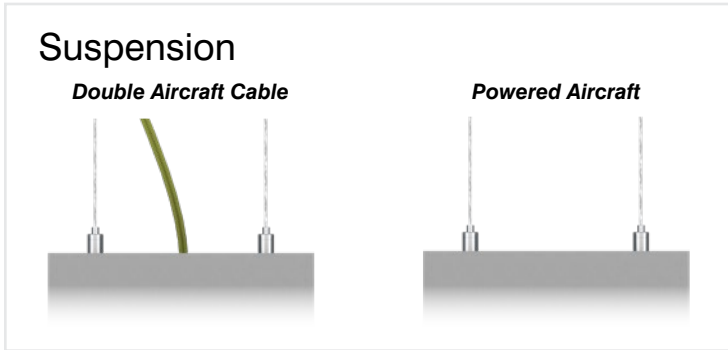
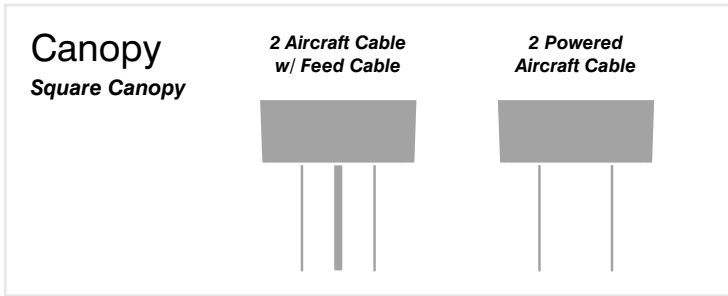
7 - Body Color		8 - Baffle Color		1 - Canopy Style	2 - Canopy Color		3 - Suspension (6' incl.)
<i>Standard</i> 01 · White 02 · Black 08 · Silver	<i>Premium</i> 52 · Mocha 53 · Charcoal 54 · Cerulean 55 · Firebrick XX · RAL	<i>Standard</i> 01 · White 02 · Black 08 · Silver	<i>Premium</i> 52 · Mocha 53 · Charcoal 54 · Cerulean 55 · Firebrick XX · RAL	956 · Square	<i>Standard</i> 01 · White 02 · Black 08 · Silver	<i>Premium</i> 52 · Mocha 53 · Charcoal 54 · Cerulean 55 · Firebrick XX · RAL	02 · 2 Aircraft + Feed Cable 05 · 2 Powered Aircraft ^{1/2} <i>Requires same lumen on Direct and Indirect</i> <i>Contact Senso for custom length</i>

4 - Feed Cable	5 - Driver		Dim Level		6 - Voltage	7 - LED	8 - Lumen
00 · None ² 01 · White 02 · Black 03 · Clear XX · Custom	STD · Non Dimming LCS · 0 - 10 Volt Protocol DIM · Phase ³ ELDOLC · EldoLED 0 - 10 Volt DALI · Dali Protocol LUTES · Hilume Ecodigital	N/A 1% 1% 0.1% 0.1% 1%	LUT2W · 2 Wire for phase ³ LUT5S · 5 Series Eco System DMX · Senso ⁴ EMG · Emergency Driver ^{4/5} CSMB · Casambi Wireless Control ^{4/5}	1% 5%	120 · 120V 277 · 277V 347 · 347V ⁶	Same as Fixture	Same as Fixture

*1 Requires same lumen on Direct and Indirect options
*2 no feed cable color option for **05** - 2 Powered Aircraft
*3 120V only
*4 remote mount
*5 second driver required
*6 not available with ELDO, Lutron or DMX

LETO 44 P U D LRG

DIRECT AND INDIRECT LED PENDANT



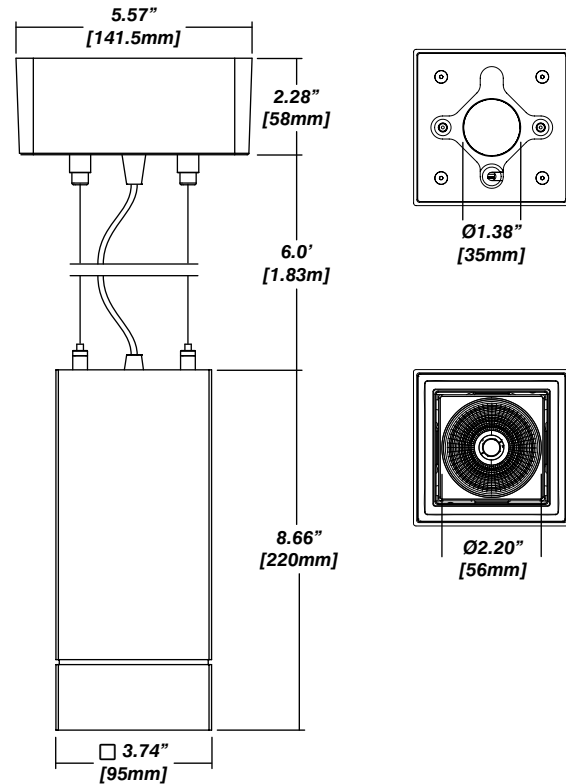
Installation

- The included canopy fits on a standard junction box
- Height adjustable aircraft cable and feed cable
- Electrical feed cable included

Construction / Finish

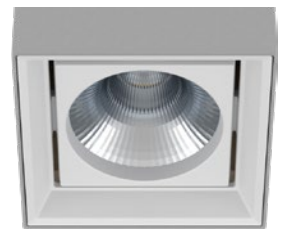
- High quality, scratch resistant powder coated finish in standard, premium or custom colors
- Aluminum extruded Body
- Made in Canada

Dimensions



Reflector

Senso metal spun faceted reflectors are specifically designed to retain as much light as possible. This results in a more power efficient fixture with a higher delivered lumen.



LETO 44 P U D LRG

DIRECT AND INDIRECT LED PENDANT

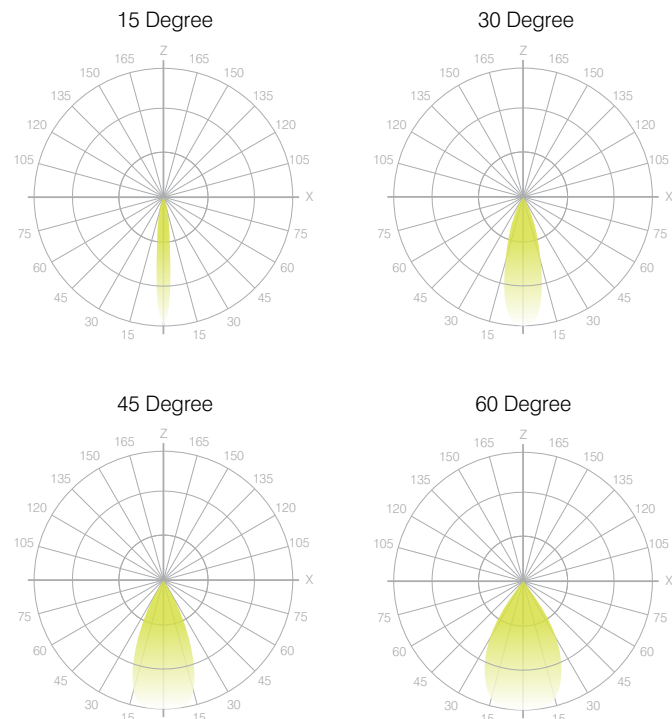


Photometrics

Senso's in-house photometric testing ensures that our lighting design can match your needs precisely. Our Goniophotometer and testing lab produces on-demand photometry files based on any specified fixture, including LM-79 Test reports, IES Files, and CRI/CCT measurements. See Sensolighting.com for more information.

**Full photometric Reports and IES files available for every configuration*

Leto 44 Light Distribution



Color Metrics

TM 30-15

Our clients deserve the best information possible about their lighting choices. That's why Senso has invested in the Illuminating Engineering Society (IES) TM 30-15, a new system that measures an LED light source's color rendering properties. Using Senso's state-of-the-art goniophotometer, this method identifies the optimal light source for your project and helps evaluate the trade-offs between efficacy and color rendering. Senso can provide TM 30-15 data for all of our products.

**Full Color Metric Info Available at Sensolighting.com*

LED Module Performance

- Output:** Up to 150 lumen/Watt
- Efficacy:** Color consistency within a 3-MacAdam Ellipse
- CCT:** 2500K - 6500K
- Color Rendering:** 90+ CRI
- Min. R Values:** R⁹ - 60 R^f - 90 R^a - 100

Driver and Power Consumption

- Dimming:** 1% dimming standard with 0.1% option
Casambi wireless control available
- Ripple:** Industry leading Low ripple
- Efficiency:** Power Factor >0.9
Efficiency over 85%
Class 2 output for safety
- Installation:** Canopy or remote mounted

Lumen Option	700lm	1000lm	1500lm
Fixture Wattage	6.5W	9.3W	12.5W
Delivered Lumen	656lm	1035lm	1347lm