

LETO 44 PLUS WM MID

WALL MOUNT LED DOWNLIGHT



Leto 44 Plus WM MID - Wall Mount LED Light. Leto 44 Plus WM MID is a wall mounted cylinder LED fixture designed to provide a space with indirect lighting. It is the perfect solution for creating subtle light in your space.

Ordering Code

Fixture	711							
	1	2	3	4	5	6	7	8
Driver			--	--				
	1	2	3	4				

Product Specifications

SAMPLE: Fixture **711 - A90 - 610 - 27 - 07 - AR - 08 - 02** | Driver **STD - 120 - A90 - 07**

1 - Model	2 - LED	3 - Optic	4 - CCT	5 - Lumen	6 - Accessory
711 · Leto 44 Plus Medium Wall Mount	A90 · Accuracy	610 · 10° 618 · 18° 630 · 30° 645 · 45° 660 · 60°	25 · 2500K 27 · 2700K 30 · 3000K 35 · 3500K 40 · 4000K 65 · 6500K	07 · 700 (6.5W) 10 · 1000 (9.3W) 15 · 1500 (12.5W) 20 · 2000 (20.2W)	00 · No Accessory DL · Diffusing Lens HO · Honeycomb SL · Solite Lens

7 - Body Color		8 - Baffle Color		1 - Driver		Dim Level	
<i>Standard</i>	<i>Premium</i>	<i>Standard</i>	<i>Premium</i>	STD · Non Dimming	N/A	LUT2W · 2 Wire for phase*1	1%
01 · White	52 · Mocha	01 · White	52 · Mocha	LCS · 0 - 10 Volt Protocol	1%	LUT5S · 5 Series Eco System	5%
02 · Black	53 · Charcoal	02 · Black	53 · Charcoal	DIM · Phase*1	1%	DMX · Senso	
08 · Silver	54 · Cerulean	08 · Silver	54 · Cerulean	ELDOLC · EldoLED 0 - 10 Volt	0.1%	EMG · Emergency Driver*2/3	
	55 · Firebrick		55 · Firebrick	DALI · Dali Protocol	0.1%	CSMB · Casambi Wireless Control*2/3	
	XX · RAL		XX · RAL	LUTES · Hilume Ecodigital	1%		

2 - Voltage	3 - LED	4 - Lumen		
120 · 120V 277 · 277V 347 · 347V*4	Same as Fixture	Same as Fixture	*1 120V only *2 remote mount *3 second driver required *4 not available with ELDO, Lutron or DMX	Project : _____ Quantity : _____ Type : _____ Notes : _____

LETO 44 PLUS WM MID

WALL MOUNT LED DOWNLIGHT

Reflector

Faceted Reflector

Senso metal spun faceted reflectors are specifically designed to retain as much light as possible. This results in a more power efficient fixture with a higher delivered lumen.



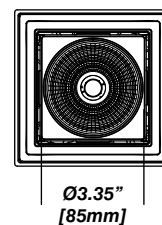
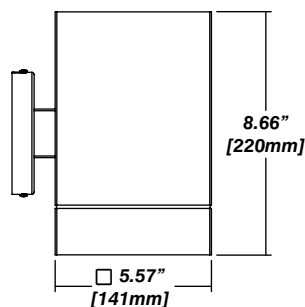
Installation

- Mounting plate included
- Easy, single motion installation method

Construction / Finish

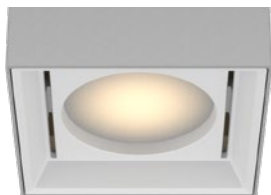
- High quality, scratch resistant powder coated finish in standard, premium or custom colors
- Aluminum extruded Body
- Made in Canada

Dimensions

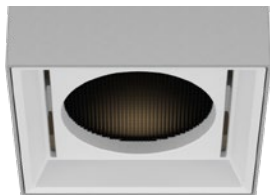


Accessories

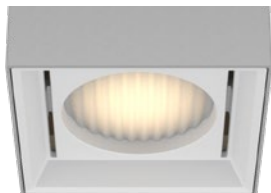
Diffusing Lens



Honeycomb Mesh



Solite Lens



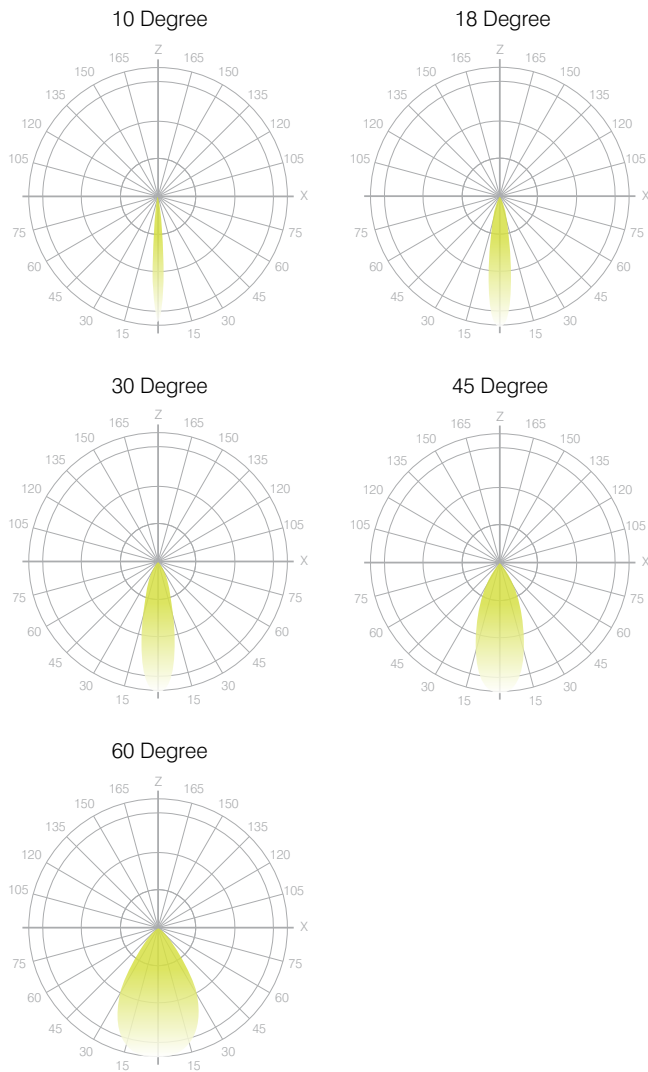
LETO 44 PLUS WM MID

WALL MOUNT LED DOWNLIGHT

Senso's in-house photometric testing ensures that our lighting design can match your needs precisely. Our Goniophotometer and testing lab produces on-demand photometry files based on any specified fixture, including LM-79 Test reports, IES Files, and CRI/CCT measurements. See Sensolighting.com for more information.

**Full photometric Reports and IES files available for every configuration*

Leto 44 Light Distribution



Color Metrics

TM 30-15

Our clients deserve the best information possible about their lighting choices. That's why Senso has invested in the Illuminating Engineering Society (IES) TM 30-15, a new system that measures an LED light source's color rendering properties. Using Senso's state-of-the-art goniophotometer, this method identifies the optimal light source for your project and helps evaluate the trade-offs between efficacy and color rendering. Senso can provide TM 30-15 data for all of our products.

**Full Color Metric Info Available at Sensolighting.com*

LED Module Performance

Output: Up to 150 lumen/Watt

Efficacy: Color consistency within a 3-MacAdam Ellipse

CCT: 2500K - 6500K

Color Rendering: 90+ CRI

Min. R Values: R⁹ - 60 R¹ - 90 R³ - 100

Driver and Power Consumption

Dimming: 1% dimming standard with 0.1% option

Casambi wireless control available

Ripple: Industry leading Low ripple

Efficiency: Power Factor >0.9

Efficiency over 85%

Class 2 output for safety

Installation: Canopy or remote mounted

Lumen Option	700lm	1000lm	1500lm	2000lm
Fixture Wattage	6.5W	9.3W	12.5W	20.2W
Delivered Lumen	656lm	1035lm	1347lm	1917lm