

NEPTUNE

FLEXIBLE IP-RATED



Neptune - IP Rated Flexible LED Lighting. The Neptune is a flexible, silicone encapsulated LED strip. It's ability to bend and twist allows for limitless design possibilities both indoor and outdoor.

Ordering Code

Fixture

1 2 3 4

Driver

1 2 3 4

Product Specifications

SAMPLE : Fixture **440 - 045 - 28 - 6'** | Driver **906 - 060 - STD - 120**

1 - Model	2 - LED Style ^{*1/2}			3 - CCT		4 - Fixture Length ^{*2}
440 · Neptune	Pro 56 045 · 136 084 · 256 118 · 362	Pro 112 056 · 171 105 · 322 126 · 387	RGB ^{*3} RGB · RGB	Pro 56/112 25 · 2500K 28 · 2800K 32 · 3200K 36 · 3600K 42 · 4200K 48 · 4800K	RGB ^{*3} 98 · RGB	XX · Custom (XX.XX') Refer to page 2 for LED cut length and max length

1 - Driver	2 - Wattage	3 - Control	Dim Level	4 - Voltage
Outdoor 906 · Outdoor Driver	Indoor 902 · Standard Driver 908 · 120V Phase DIM ^{*4}	060 · 60W 096 · 96W	STD · Standard Driver N/A LCS · 0-10V Driver 10% DIM · 120V Phase DIM 1% DMX · SENSO 1%	120 · 120V 277 · 277V

*1 Measured in Lm/ft @ 3200K
*2 Refer to page 2 for LED cut length
*3 DMX driver required
*4 Only available with **DIM** - phase dim

Project: _____
Quantity: _____
Type: _____
Notes: _____

NEPTUNE

FLEXIBLE IP-RATED



24V Linear LED Light Source

	STYLE	WATT/FT	LUMENS/FT	CRI	MAX. LENGTH	CUT LENGTH	LED/FT	Color TEMPERATURE	DESCRIPTION
PRO 56	045	1.5	136	90	32.81'	4.92"	17	2500K, 2800K, 3200K, 3600K, 4200K, 4800K	Even LED layout (56 led/m - 17 led/ft) for balanced performance and efficiency
	084	2.9	256	90	16.4'	4.92"	17		
	118	4.4	362	90	13.12'	4.92"	17		
PRO 112	056	1.5	171	90	22.97'	2.46"	34		Dense LED layout (112 led/m - 34 led/ft) creates no dots with frosted lens
	105	2.9	322	90	14.76'	2.46"	34		
	126	4.4	387	90	11.48'	2.46"	34		
RGB	RGB	4.4	204	-	14.8'	4.92"	14	-	Individually control Red, Green and Blue (white only with RGB)

* Lumen output based on 3200K, for other output information, please consult SENS0.

Key LED Strip Features

- Waterproof IP67 LED strip for outdoor lighting applications
- UV and salt resistant
- 3 Step MacAdam LEDs or Single Bin LEDs
- Efficacy up to 148 lm/W
- 56 or 112 LEDs per meter
- High CRI of 90+

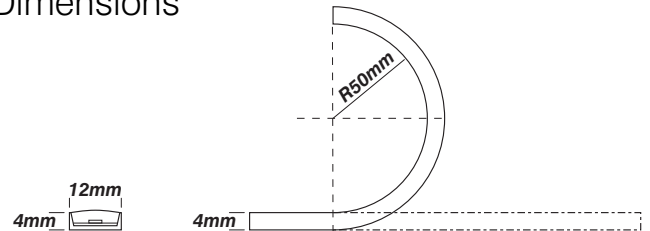
Construction

- White, light-reflecting carrier profile
- Resistant silicone encapsulation
- Soft, clear and flexible profile

Installation

- Includes water-resistant wire connector

Dimensions



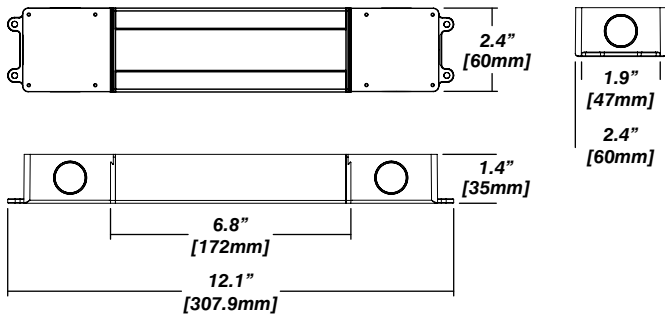
Driver Data

Driver	Output Voltage	Input voltage	Wattage	Efficiency @ Max Load	Power Factor	Dim Level	Dim Protocol
STD	24V	120V, 277V	60W - 96W	86%	>0.90	N/A	N/A
LCS		120V, 277V		>87%	>0.95	1%	0-10V
DIM		120V		>90%	>0.95	1%	Phase
DMX		120V, 277V				1%	DMX

Outdoor Driver

- Outdoor rated IP65
- Built in junction boxes
- 0 - 10V Dimmable and flicker free down to 1%
- CSA Approved
- Class 2, Class P
- Auto-reset protection for short circuit and over-temperature
- Overload protection

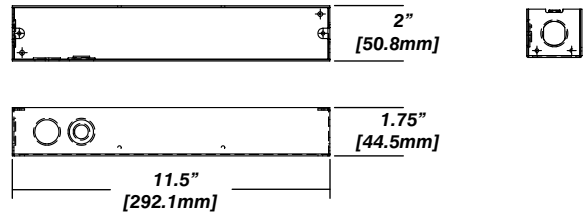
STD and LCS



Indoor Drivers

- CSA Approved
- Class 2, Class P
- 0 - 10V Dimmable and flicker free down to 1%
- Auto-reset protection for short circuit and over-temperature
- Overload protection

STD



DIM

