

OUTDOOR IP67 & IK10 RATED

# TRIDENT Outdoor

RECESSED LINEAR PROFILE



**Trident Outdoor - Recessed IP67 & IK10 Rated Linear Profile.** The Trident Outdoor Recessed is designed for applications requiring sturdy and secure in-ground and IP67 & IK10 rated lighting. Our LED encapsulation process ensures a long lasting, vandal resistant seal with hard resin and our specialty machined end caps, straight and corner adapters. Many options are available making it highly modular, versatile and easy to install.

## Ordering Code

Fixture	<b>455</b>	<b>407</b>							
	1	2	3	4	5	6	7	8	
Driver		<b>24</b>							
	1	2	3	4	5				

## Product Specifications

**SAMPLE :** Fixture **455 - 407 - FH - 122 - 27 - 02 - E36 - 6'** | Driver **906 - 24 - 060 - STD - 120**

1 - Type	2 - Model	3 - Resin	4 - LED Style <sup>*1/2</sup>	5 - CCT	6 - Finish
<b>455</b> · IP67 & IK10 Rated Profile	<b>407</b> · Trident Recessed Outdoor	<b>FH</b> · Frosted Hard <b>CH</b> · Clear Hard	Pro 112    RGB <sup>*3</sup> <b>122</b> · 383 <b>RGB</b> · RGB <b>175</b> · 559 <b>RGBW</b> · RGBW	Pro 112    RGB <sup>*3</sup> <b>27</b> · 2700K <b>98</b> · RGB <b>30</b> · 3000K <b>99</b> · RGBW <b>35</b> · 3500K <b>40</b> · 4000K <b>50</b> · 5000K	<b>02</b> · Black <b>08</b> · Silver

7 - Feed Length	8 - Fixture Length <sup>*2</sup>	1 - Driver	2 - Output Voltage	3 - Wattage
<b>B36</b> · 36" Back Fed <b>BXX</b> · Custom Back Fed	<b>XX</b> · Custom (XX.XX") <i>Continuous runs will be made in equal sections no more than 3' long</i>	Wet Location <b>906</b> · Outdoor Driver	Dry Location <b>902</b> · Standard Driver <b>908</b> · 120V Phase DIM <sup>*4</sup>	<b>24</b> · 24V <b>060</b> · 60W <b>096</b> · 96W

4 - Control	Dim Level	5 - Input Voltage	
<b>STD</b> · Standard Driver	N/A	<b>120</b> · 120V	*1 Measured in Lm/ft (based on 3000K) *2 Refer to page 2 for LED cut length intervals *3 DMX driver required *4 Only available with <b>DIM</b> - phase dim Project : _____ Quantity : _____ Type : _____ Notes : _____
<b>LCS</b> · 0-10V Driver	1%	<b>277</b> · 277V	
<b>DMX</b> · SENSO	1%		
<b>DIM</b> · 120V Phase DIM	1%		
<b>LUTRON</b> · CV Ecosystem 3-wire	0.1%		

# TRIDENT Outdoor

## RECESSED LINEAR PROFILE

### 24V Linear LED Light Source

	STYLE	WATT/FT	LUMENS/FT	CRI	MAX. LENGTH	CUT LENGTH	LED/FT	COLOR TEMPERATURE	Description
<b>PRO 112</b>	<b>122</b>	2.9	383	90	23.0'	2.46"	34	2700K, 3000K, 3500K, 4000K, 5000K	Dense LED layout (112 led/m - 34 led/ft) creates no dots with frosted lens.
	<b>175</b>	4.4	559	90	14.75'	2.46"	34		
<b>RGB</b>	<b>RGB</b>	4.4	204	-	16.4'	3.94"	18	-	Individually control Red, Green, Blue and White (white only with RGB+W)
	<b>RGB+W</b>	6.78	364	-	10.7'	3.54"	81	-	

\* Lumen output based on 3000K, for other output information, please consult SENSO.

### Key LED Features

- 3 STEP MacAdam LEDs or Single Bin LEDs
- Stabilized current design
- LED efficacy up to 171 lm/W
- 24V DC voltage input
- Reverse voltage protection
- 50,000 hour life expectancy

### Resin & Profile Features

#### Top Layer

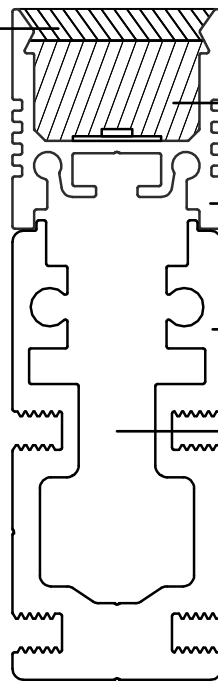
The top resin layer of the Trident acts as the lens and first line of defense for the LED.

#### Soft cured resin:

Outdoor resistant against rain, snow and direct sunlight as well as intense conditions like hail and acid rain. The resin is also thermal resistant against thermal cycles and drastic changes in temperature. Chemicals like detergents or disinfectants will not deteriorate, disintegrate or discolor the soft resin.

#### Hard cured resin:

The hard cured resin maintains all of the same outdoor resistant features as the soft, but acquires extra physical resistance as well. Abrasion resistance will keep the resin intact even after wear, impact or high levels of pressure are applied. It will prevent vandalism and resist fire and ignition. The hard resin allows any profile to be floor mounted.



#### Fill Layer

The fill layer of the IP67 & IK10 rated Trident main purpose is to fully encapsulate and protect the LED strip. This fully sealed layer is able to maintain light quality without any color shift. The fill layer will not yellow over time and will keep perfect CRI and color-consistency over the lifespan of the LED.

#### Aluminum Extrusion

Trident, along with all our profile fixtures, are made of anodized aluminum. This allows our profile to be as thin as possible while maintaining rigidity and limiting flex over long runs.

#### Recessed Features

The recessed channel has grooves which allow for mounting onto the recessed adapter. The profile attaches to height adjustable brackets and sits flush with any surface when installed. The lower gap of the recessed channel provides ample space for long runs of cable and guarantees expansion and future proofing.

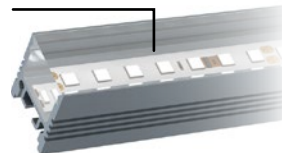
### Top Layer Finish

#### Frosted Resin



The frosted resin top layer is available in both hard and soft options. It offers a soft diffused light with no pixelation.

#### Clear Resin



The clear resin top layer is the best option for maximum light efficiency. Low light loss allows you to get the most out of each LED.

# TRIDENT Outdoor

## RECESSED LINEAR PROFILE

### Construction

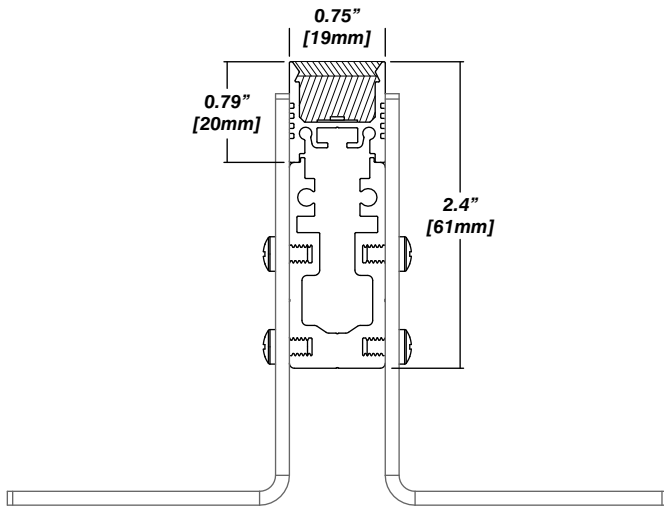
- High quality poured resin lens
- Hard, clear and frosted resin options
- Aluminum extruded profile and recessed channel

### Installation

- Electrical wire included
- Recessed channel connects to L-bracket, end caps, corner and straight connectors
- Includes plastic spacer for laying ground material

### Dimensions

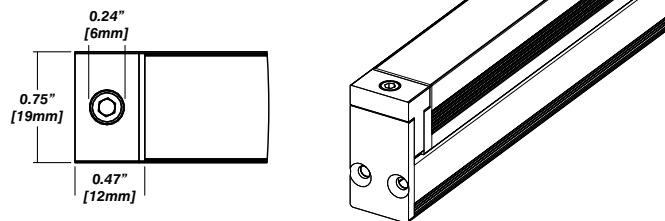
Recessed Channel with Trident



### End Cap

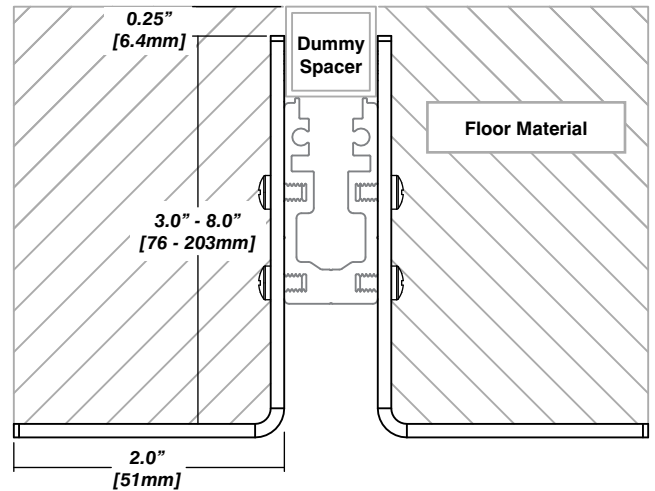
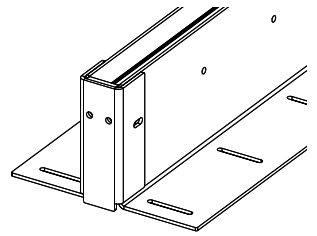
- Solid aluminum construction locks profile in place
- Quick installation and removal for easy servicing
- Allows for thermal expansion up to 2mm

Straight Adapter



### Recessed L-Bracket

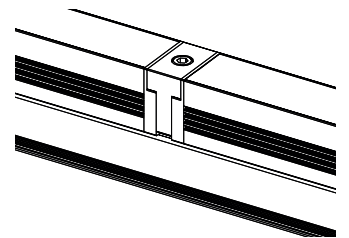
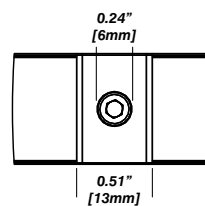
- Solid galvanized steel construction
- Custom height between 3 - 8 inches
- Screws directly into the Trident recessed channel
- Allows Trident to be recessed into many different materials



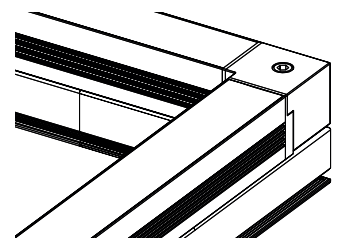
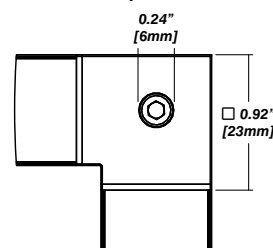
### Adapters

- Solid aluminum construction locks profile in place
- Securely connects 2 Trident sections together
- Quick installation and removal for easy servicing
- Allows for thermal expansion up to 2mm

Straight Adapter



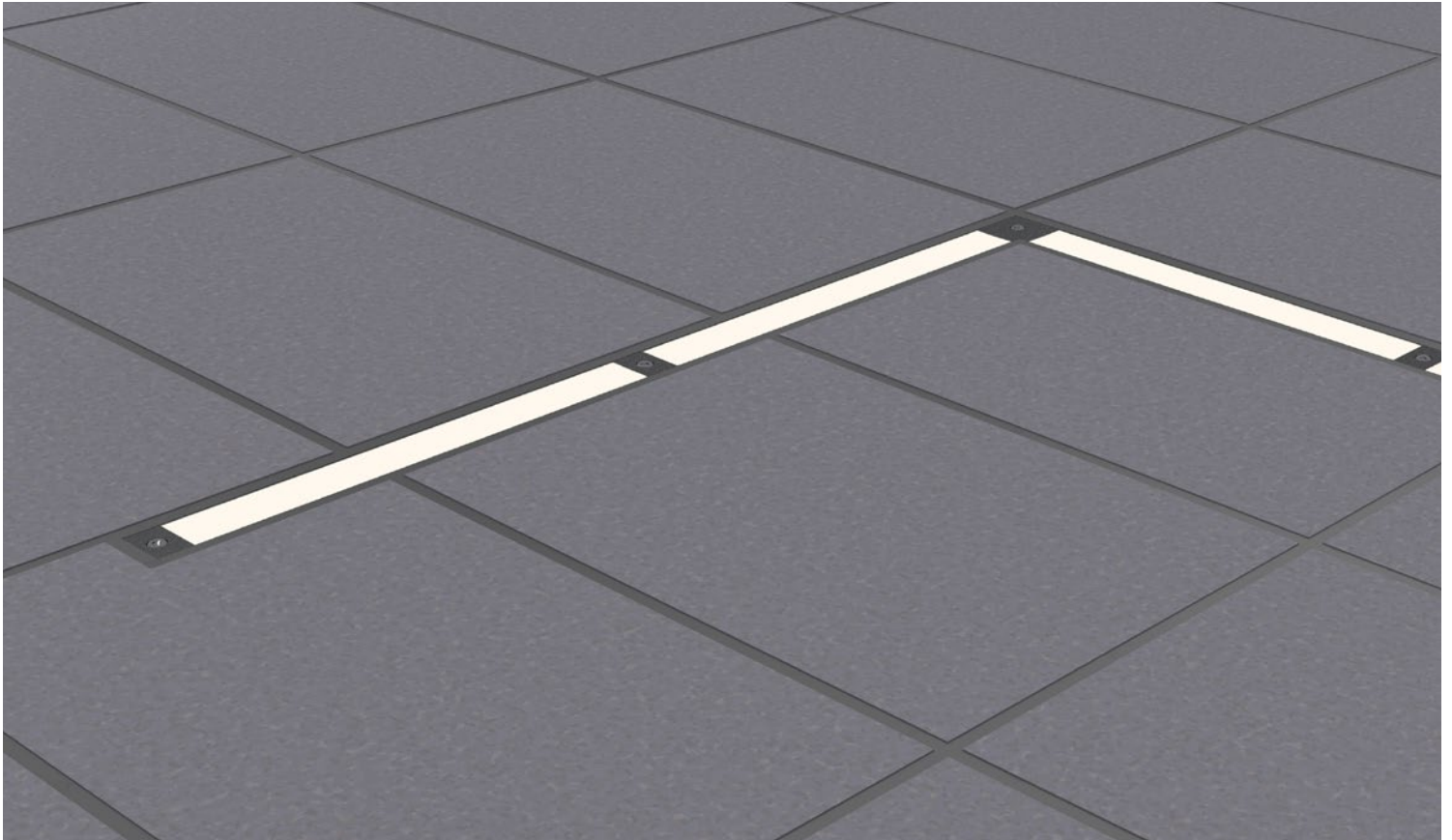
Corner Adapter



OUTDOOR IP67 & IK10 RATED

# TRIDENT Outdoor

RECESSED LINEAR PROFILE



## Recessed System

Recessed lighting promotes the best integration of lighting and architecture. Creativity is the only limitation because Trident recessed can flow through a space linking surfaces with minimal dark spots.

# TRIDENT Outdoor

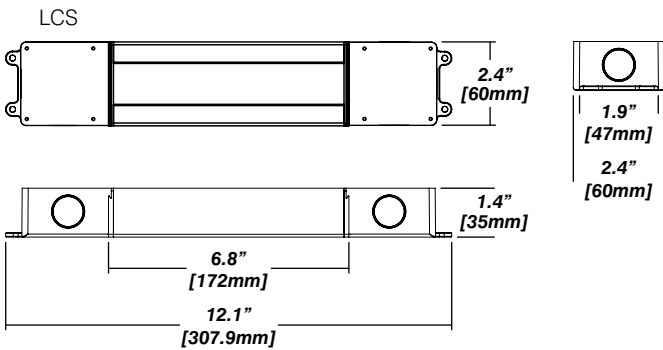
RECESSED LINEAR PROFILE

## Driver Data

Driver	Output Voltage	Input voltage	Wattage	Efficiency @ Max Load	Power Factor	Dim Level	Dim Protocol
<b>STD</b>		120V, 277V		86%	>0.90	N/A	N/A
<b>LCS</b>		120V, 277V		>87%	>0.95	1%	0-10V
<b>DIM</b>	24V	120V	60W, 90W	>90%	>0.95	1%	Phase
<b>DMX</b>		120V, 277V				1%	DMX
<b>LUTRON</b>		120V, 277V		90%	>0.99	0.1%	ECO System

## Wet Location Driver

- Outdoor rated IP65
- Built in junction boxes
- 0 - 10V Dimmable and flicker free down to 1%
- CSA Approved
- Class 2, Class P
- Auto-reset protection for short circuit and over-temperature
- Overload protection



## Dry Location Drivers

- CSA Approved
- Class 2, Class P
- 0 - 10V Dimmable and flicker free down to 1%
- Auto-reset protection for short circuit and over-temperature
- Overload protection
- For DMX contact SENSO

