

VESTA 1 CM

CEILING MOUNT



Vesta 1 CM - Ceiling surface mounted linear LED lighting system. The Vesta1 CM luminaire offers both performance and aesthetics, with all the features of the Vesta series. A unique Senso design, the subtly flared Vesta 1 CM features a symmetrical, high-performance frosted lens, illuminating the lens surface evenly with no shadows or dark spots. With integrated drivers and controls, this fixture is easy to install and widely applicable.

Full-length seamless lenses range from 4 to 12 feet. Available in L-, T- and X-shaped nodes, the Vesta 1 system can readily adapt to any configuration.

Ordering Code



Product Specifications

SAMPLE : 365 - 90 - 6 - 40 - 25 - 01 - 06 - STD - 120 - 01

1 - Model	2 - CRI	3 - Length	4 - CCT	5 - Lens	6 - Finish	7 - Lumen
365 · Direct	90 · 90+	2 · 23" 4 · 45.5" 6 · 68" 8 · 90.5" 10 · 113" 12 · 135.5" A-T · More Lengths ^{*1} XX · System ^{*2}	27 · 2700K 30 · 3000K 35 · 3500K 40 · 4000K	25 · Frosted Symmetric 35 · Asymmetric ^{*3}	01 · White 02 · Black 08 · Silver XX · Custom	04 · 400 lm/ft (3.8 W) 06 · 566 lm/ft (5.7 W) 08 · 843 lm/ft (9.4 W) 10 · 1034 lm/ft (12 W) 12 · 1220 lm/ft (15 W)
8 - Driver	Dim Level	Dim Level	9 - Voltage	10 - LED Control		
STD/LCS · 0 - 10 Volt dim option incl.	1%	LUT5S · 5 Series Eco System	5%	120 · 120V	01 · Standard	
ELDOLC · EldoLED 0 - 10 Volt	0.1%	DMX · Senso		277 · 277V	20 · Emergency wiring	
DALI · Dali Protocol	0.1%	ODHS · Occupancy & Daylight Harvesting Sensor ^{*5/6/7}		347 · 347V ^{*8}	21 · Emergency Battery Back-Up (4 foot section)	
LUTES · Hilume Ecodigital	1%	CSMB · Casambi Wireless Control				
LUT2W · 2 Wire for phase ^{*4}	1%					

*1 See page four for more detailed lengths

*2 See page two for more details

*3 Asymmetric limited to **08** · 843 lm/ft (9.4 W)

*4 120V only

*5 Adds 3.75" to fixture length

*6 See Vesta Sensor spec sheet for additional information

*7 1 Sensor per 16'

*8 Not available in Eldo, Lutron and DMX

Project : _____

Quantity : _____

Type : _____

Notes : _____

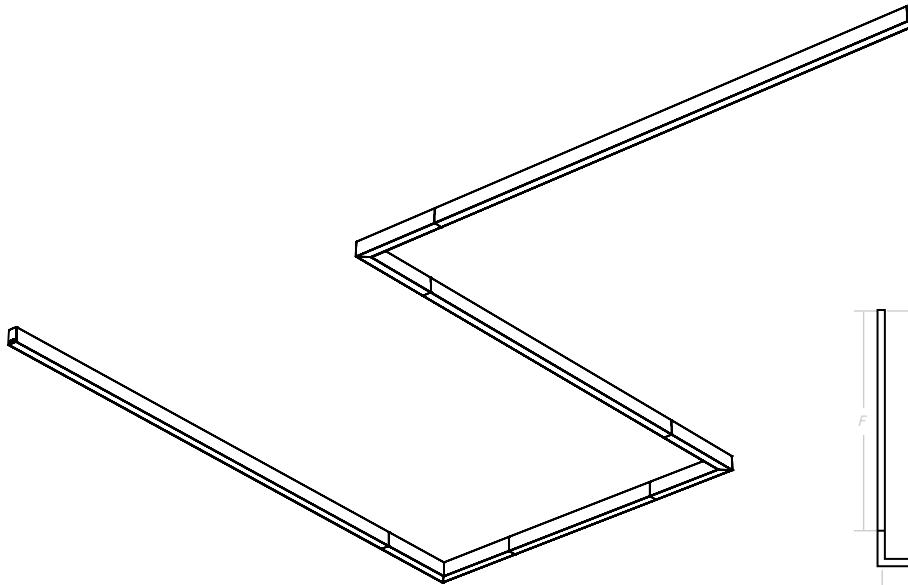
VESTA 1 CM

CEILING MOUNT

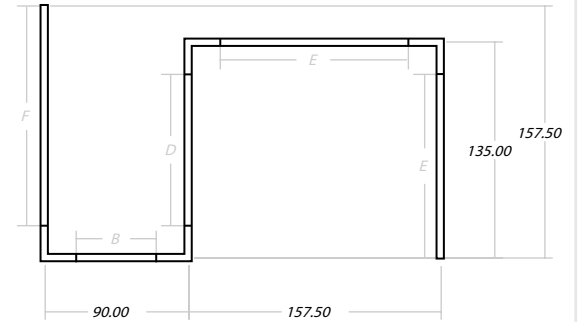


Continuous Layout Using Corners Only

The Vesta 1 system is not limited to straight runs. Available L nodes, used in association with linear sections, provide freedom to create seamless configurations. Linear sections are available in 22.5inch increment.



Example Of Layout



How To Specify

1. Draw your layout, as seen from bottom, considering:
 - Drawings are made using center axis as reference
 - Minimum 45inch between contiguous corners
 - 22.5inch increment
2. Provide the following information
 - Total number of corners
 - Total length
 - Drawing

Using example:

corners = 3

Total length = $157.5 + 90 + 135 + 157.5 = 540$ inch

Extra Information

Suspension points

- Suspension point at end always 2.75inch from end ,excluding cap
- There is always a suspension point at corner
- For a general guideline of the number of suspension points for each straight section, refer to p.5

Feed point

- Defined by the number of drivers required. Refer to p.4 for an approximation of the number of feed required. Use the total length of your system, and use the corresponding number, depending if it's direct, direct-indirect standard switching or direct-indirect separate switching.

Advanced Intersecting System Using T & X Nodes

For advanced configurations, contact the Senso factory to complete your system.



VESTA 1 CM

CEILING MOUNT

Light Engine

High Efficacy:	Up to 170 lumen/Watt
Color Options (CCT):	2700K, 3000K, 3500K, 4000K
Color Consistency:	3-step MacAdam Ellipse
Color rendering (CRI):	90+

Vesta 1 CM features a high-output, high-efficacy light engine—without any compromise. Class-leading efficiency at over 100lm/W keeps running costs low, while 50,000-hour (LM-80) lumen maintenance guarantees a sustainable design. Color rendering options are available up to 90+ CRI, along with color consistency within a three-step MacAdam ellipse. Every Vesta undergoes a multi-step test and burn-in procedure before shipping, ensuring the superior level of quality Senso is known for.

Dimming*6

Protocol :	0-10V DALI LUTRON DMX
-------------------	--------------------------------

Level : From 0.1% to 10%

The Vesta combines high output with limitless possibilities of control. Dimming down to 0.1% is also available in Lutron (120-277V) and Dali systems (120-277V).

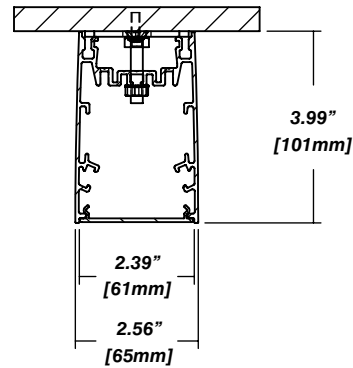
Installation

- Factory assembled for easy and fast installation
- Ceiling mounted with mounting plates
- Mounting screw and anchor supply by electrician

Construction

- Powder coated in white, black or silver
- Custom finish are available
- Housing: Aluminum extrusion
- Made in Canada

Dimensions



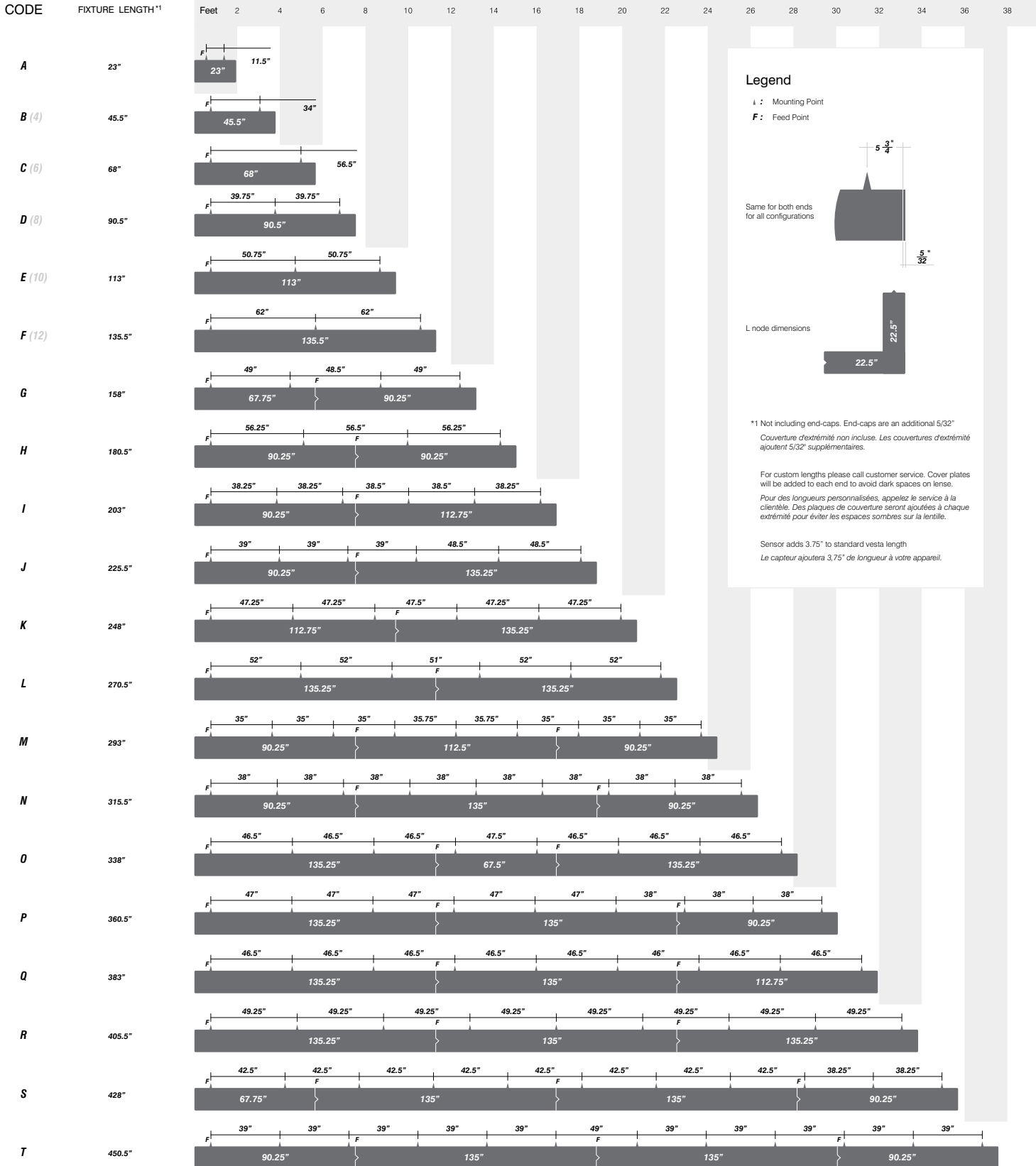
*6 See page 1 for full dimming options

VESTA 1 CM

CEILING MOUNT



Standard Vesta Lengths



VESTA 1 CM

CEILING MOUNT



Photometrics

Senso's in-house photometric testing ensures that our lighting design can match your needs precisely. Our Goniophotometer and testing lab produces on-demand photometry files based on any specified fixture, including LM-79 Test reports, IES Files, and CRI/CCT measurements. See Sensolighting.com for more information.

*Full photometric Reports and IES files available for every configuration

Zonal Lumen Summary

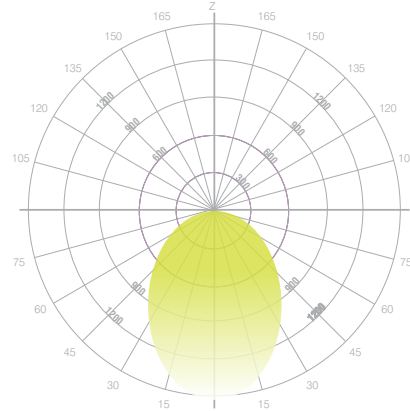
Zone	Lumens	%Fixt
0-20	528.37	15.50
0-30	1085.53	31.90
0-40	1709.34	50.30
0-60	2806.23	82.60
0-80	3352.15	98.60
0-90	3398.12	100.00
10-90	3258.52	95.90
20-40	1180.97	34.70
20-50	1777.92	52.30
40-70	1453.16	42.80
60-80	545.92	16.10
70-80	189.65	5.60
80-90	45.97	1.40
90-110	0.56	0.00
90-120	0.57	0.00
90-130	0.57	0.00
90-150	0.57	0.00
90-180	0.57	0.00
110-180	0.01	0.00
0-180	3398.69	100.00

IES Indoor Report Coefficients of utilization - zonal cavity method

Effective Floor Cavity Reflectance 0.20

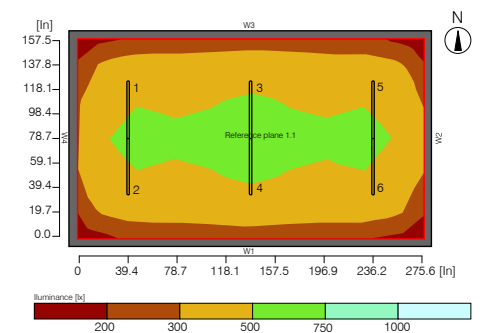
RC	80				70				50				30				10				0
RW	70	50	30	10	70	50	30	10	50	30	10	50	30	10	50	30	10	50	30	10	0
0	119	119	119	119	116	116	116	116	111	111	111	106	106	106	102	102	102	100	100	100	100
1	109	105	101	97	107	103	99	96	99	96	93	95	92	90	91	89	87	85	85	85	85
2	100	92	86	80	98	90	85	80	87	82	78	84	80	76	81	77	74	72	72	72	72
3	92	82	74	68	89	80	73	67	77	71	66	74	69	65	72	68	64	62	62	62	62
4	84	73	64	58	82	72	64	58	69	62	57	67	61	56	65	60	55	53	53	53	53
5	78	66	57	51	76	64	56	50	62	55	50	60	54	49	59	53	49	47	47	47	47
6	72	59	51	44	70	58	50	44	57	49	44	55	48	44	53	48	43	41	41	41	41
7	67	54	46	40	65	53	45	39	52	44	39	50	44	39	49	43	39	37	37	37	37
8	63	49	41	36	61	49	41	35	47	40	35	46	40	35	45	39	35	33	33	33	33
9	59	46	38	32	57	45	37	32	44	37	32	43	36	32	42	36	32	30	30	30	30
10	55	42	34	29	54	42	34	29	41	34	29	40	33	29	39	33	29	27	27	27	27

Vesta Light Distribution



- Fixture: Vesta 48" [121.92 cm]
- Total Lumen Output: 3399 lm
- Wattage: 45 W
- Lumen per Watt: 75

Vesta Performance Example



- Calculation algorithm used Average indirect fraction
- Height of luminaire plane 118.11" [3.00 m]
- Maintenance factor 31.5% [0.80 m]
- Total luminous flux of all lamps 20358 lm
- Total power 270.0 W
- Total power per area (28.00 m²) 9.64 W/m² (2.26 W/m²/100lx)

Luminance DATA (cd/sq.m)

Angle in °	Average 0°	Average 45°	Average 90°
45	1633	17494	18653
55	14387	15594	16807
65	12589	13662	14754
75	10484	11188	11811
85	7096	6899	6301

Color Metrics

TM 30-15

Our clients deserve the best information possible about their lighting choices. That's why Senso has invested in the Illuminating Engineering Society (IES) TM 30-15, a new system that measures an LED light source's color rendering properties. Using Senso's state-of-the-art goniophotometer, this method identifies the optimal light source for your project and helps evaluate the trade-offs between efficacy and color rendering. Senso can provide TM 30-15 data for all of our products.

*Full Color Metric Info Available at Sensolighting.com