

# VESTA 1 WM

COLOR TUNABLE LINEAR WALL MOUNT



**Vesta 1 WM - Wall mounted linear LED system.** The Vesta1 WM luminaire offers a different application but all the benefits of its ceiling-mounted counterpart. A unique Senso design, the subtly flared Vesta 1 WM features a symmetrical, high-performance frosted lens, illuminating the lens surface evenly with no shadows or dark spots. With integrated drivers and controls, this fixture is easy to install and widely applicable. Vesta 1 WM offers both direct and indirect lighting options, allowing you to switch on the light sources independently or in unison.

## Ordering Code



## Product Specifications

SAMPLE : 353 - 90 - 6 - 2765 - F0 - 01 - 06 - 00 - DMX - 277 - 01

1 - Model	2 - CRI	3 - Length	4 - CCT	5 - Lens	6 - Finish
<b>351</b> • Direct/Indirect <b>352</b> • Indirect <b>353</b> • Direct	<b>90</b> • 90+	<b>2</b> • 22.75" <b>4</b> • 44.75" <b>6</b> • 66.75" <b>8</b> • 88.75" <b>10</b> • 110.75" <b>12</b> • 132.75" <b>A-T</b> • More Lengths*1	<b>2765</b> • 2700K - 6500K	<i>Down</i> <b>F</b> • Frosted Symmetric <b>0</b> • None  <i>Up</i> <b>F</b> • Frosted Symmetric <b>0</b> • None	<b>01</b> • White <b>02</b> • Black <b>08</b> • Silver <b>XX</b> • Custom
7 - Direct Lm	8 - Indirect Lm	9 - Driver	Dim Level	10 - Voltage	11 <sup>2</sup> - LED Control
<b>04</b> • 418 lm/ft @ 4000K (4.8W) <b>06</b> • 592 lm/ft @ 4000K (7.2W) <b>08</b> • 776 lm/ft @ 4000K (9.6W) <b>00</b> • None	<b>04</b> • 418 lm/ft @ 4000K (4.8W) <b>06</b> • 592 lm/ft @ 4000K (7.2W) <b>08</b> • 776 lm/ft @ 4000K (9.6W) <b>00</b> • None	<b>DALI</b> • Dali Protocol <b>DMX</b> • SENSO <b>CSMB</b> • Casambi Wireless Control	0.1%	<b>120</b> • 120V <b>277</b> • 277V	<b>01</b> • Standard switching <b>02</b> • Separate switching <b>21</b> • Emergency Battery Back-Up (4 foot section)

\*1 See page four for more detailed lengths  
 \*2 See page two for more details

Project : \_\_\_\_\_  
 Quantity : \_\_\_\_\_  
 Type : \_\_\_\_\_  
 Notes : \_\_\_\_\_  
 \_\_\_\_\_

# VESTA 1 WM

COLOR TUNABLE LINEAR WALL MOUNT

## Light Engine

- High Efficacy :** Up to 170 lumen/Watt
- Color Options (CCT) :** 2700K - 6200K
- Color Consistency :** 3-step MacAdam Ellipse
- Color Rendering (CRI) :** 90+
- Lumen Maintenance :** 50,000 hours

## Switching

(For Direct / Indirect Configuration)

1. Standard switching  
Single point feed required



2. Direct/indirect separate switching  
Dual point feed required



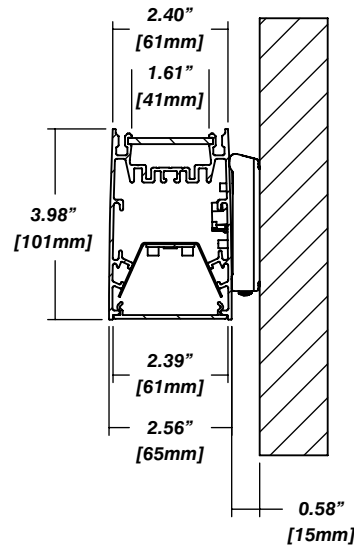
## Installation

- Factory assembled for easy and fast installation
- Electrical wire and aircraft cable included
- Standard switch box needed (horizontal) for feed point
- Mounted bracket included

## Construction

- Powder coated in white, black or silver
- Custom finish are available
- Housing: Aluminum extrusion
- Made in Canada

## Dimensions



# VESTA 1 W/M

COLOR TUNABLE LINEAR WALL MOUNT



## Vesta Color Tuning Lengths

