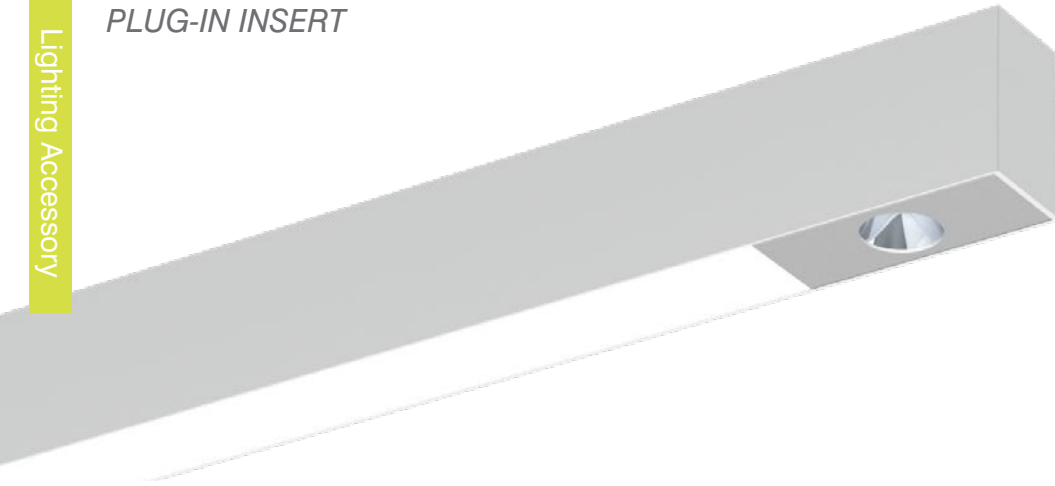


VESTA DOWNLIGHT

PLUG-IN INSERT



(Shown in Vesta 1)

Vesta Downlight Plug-in Inserts – Our Vesta Accessories add customizability to the already versatile Vesta Family. Downlight Plugin mounts flush to any Vesta and will break up the long, wide spread of the Vesta. The spotlights can be switched separately enabling fully customizable lighting and are configurable with all Vesta Accessories.

Ordering Code

370

1

2

3

4

5

6

7

Product Specifications

SAMPLE : 370 - A90 - 710 - 27 - 07 - 01 - STD

Model - 1	CRI - 2	Optic - 3	CCT - 4	Lumen - 5	Finish - 6	Driver - 7	Dim Level
370 · Downlight Plug-in	A90 · 90 CRI	710 · 17°	27 · 2700K	07 · 700 (6W)	01 · White	STD/LCS · 0 - 10 Volt dim option incl. 1% ELDOLC · 0 - 10 Volt Protocol 1% ELDODA · Dali Protocol 1% LUTES · Hilume Ecodigital 1% LUT3W · Hilume 3 Wires 1% LUT2W · 2 Wire for phase*1 1% LUT5S · 5 Series Eco System 5% DMX · SENSO	
		724 · 24°	30 · 3000K	10 · 1000 (9W)	02 · Black		
		760 · 60°	35 · 3500K	15 · 1500 (14W)	08 · Silver		
			40 · 4000K		XX · Custom		

*1 120V only

Project : _____
 Quantity : _____
 Type : _____
 Notes : _____

VESTA DOWNLIGHT

PLUG-IN INSERT

Light Engine

- Output:** up to 1500lm
- High Efficacy:** up to 150 lumen/Watt
- Colour Options (CCT):** 2700K, 3000K, 3500K, 4000K
- Colour Consistency:** Range within a 3-MacAdam Ellipse
- Colour rendering (CRI):** 90 CRI & 50+ R9 Value

Driver

- Dimming:** 1% dimming standard with 0.1% option
- Ripple:** Industry leading Low ripple
- Efficiency:** Power Factor >0.9
Efficiency over 85%
Class 2 output for safety

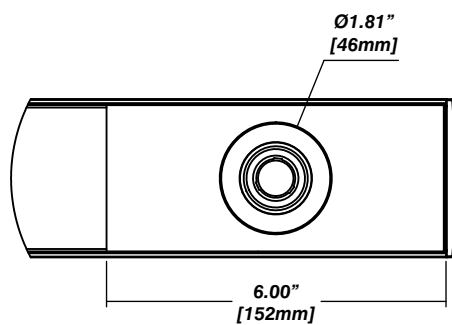
Installation

- Pre-installed connection points
- One step electrical connection to Vesta
- Fully configurable with all Vesta and Vesta Accessories
- Mounts flush with Vesta

Construction

- Machined aluminum construction
- Powder coated to perfectly match the Vesta housing
- Made in Canada

Dimensions



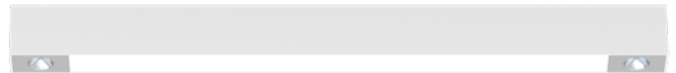
Configurations

- Some configurations include:

Multiple Plugs with Vesta Uplight



Multiple Plugs with Vesta Downlight



Mix and Match with any Vesta Accessory

