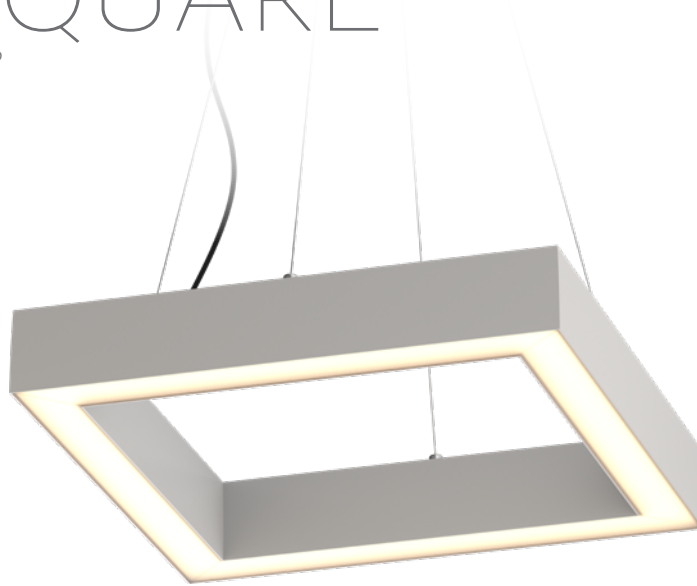


Vesta SQUARE

SQUARE SHAPED CHANDELIER



Vesta Square - Square Shaped Chandelier. Vesta Square is a standalone chandelier based on our Vesta linear system. The four sides create beautiful direct and indirect light throughout a space. Sturdy, Canadian made construction means that Vesta Square will remain a timeless part of your design.

Fixture

1 2 3 4 5 6 7

Driver

1 2 3 4 5 6 7

Product Specifications

SAMPLE : Fixture **VC1S - 90 - 27 - F - 45 - 23 - 01** | Driver **STD - 120 - 957 - 01 - 01 - 06**

1 - Model	2 - CRI	3 - CCT	4 - Lens	5 - Direct Lm	6 - Indirect Lm
VC1S • Direct	90 • 90+	27 • 2700K	F • Frosted Symmetric	45 • 4500 (46W)	23 • 2300 (24W)
VC2S • Direct/Indirect		30 • 3000K		60 • 6000 (59W)	34 • 3400 (38W)
		35 • 3500K		XX • Custom	00 • None
		40 • 4000K			XX • Custom

7 - Finish	1 - Driver	Dim Level	Dim Level	2 - Voltage
<i>Standard</i> <i>Premium</i>	STD/LCS • 0 - 10 Volt dim option incl.	1%	LUT2W • 2 Wire for phase ¹	120 • 120V
01 • White 52 • Mocha	ELDOLC • EldoLED 0 - 10 Volt	0.1%	LUT5S • 5 Series Eco System	277 • 277V
02 • Black 53 • Charcoal	DALI • Dali Protocol	0.1%	DMX • SENSO	347 • 347V ²
08 • Silver 54 • Cerulean	LUTES • Hilume Ecodigital	1%	CSMB • Casambi Wireless Control	
XX • RAL 55 • Firebrick				

3 ³ - Canopy Style	4 - Canopy Color	5 - Feed Color	6 - Suspension Height
957 • Unified Round (4 aircraft)	01 • White	01 • White	06 • 6'
	02 • Black	02 • Black	XX • Custom
	08 • Silver	03 • Clear	
		XX • Custom	

¹ 120V only

² Not available in Eldo, Lutron and DMX

³ See page two for more details

Project : _____

Quantity : _____

Type : _____

Notes : _____

Vesta SQUARE

SQUARE SHAPED CHANDELIER

 **senso**
by luminii

Light Engine

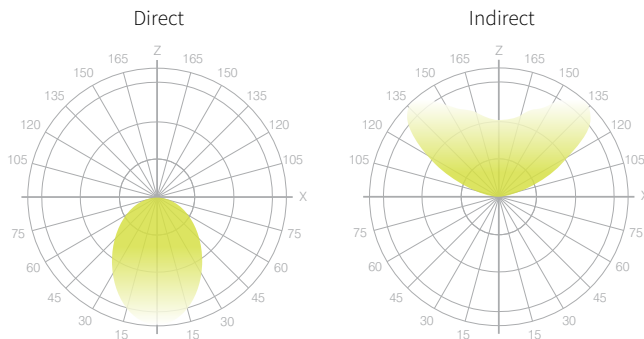
- High Efficacy:** Up to 100 lumen/Watt
- Color Options (CCT):** 2700K, 3000K, 3500K, 4000K
- Color Consistency:** 3-step MacAdam Ellipse
- Color Rendering (CRI):** 90+
- Lumen Maintenance:** 100,000 hours (L-70 @ 25 °C)

Dimming

- Protocol:** 0-10V
DALI
LUTRON
DMX
- Level:** From 0.1% to 10%

The Vesta Square combines high output with limitless possibilities of control. Dimming down to 0.1% is also available in Lutron (120-277V) and Dali systems (120-277V).

Light Distribution



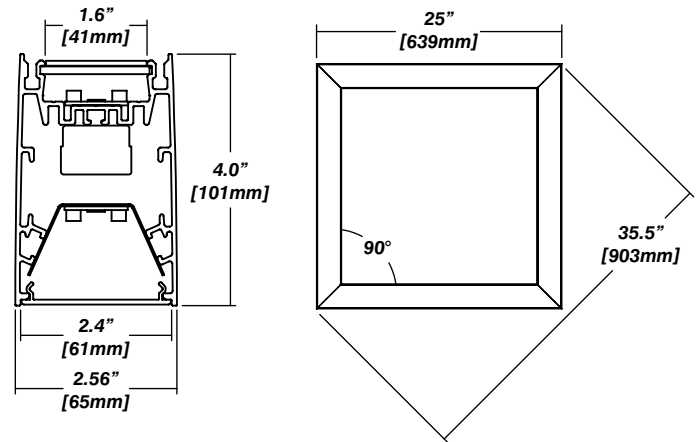
Installation

- Suspended using aircraft cable. Fully height adjustable
- Factory assembled for easy and fast installation
- Electrical wire and aircraft cable included

Construction

- High quality, scratch resistant powder coated finish in standard, premium or custom colors
- Aluminum extruded housing
- Made in Canada

Dimensions



Canopy

- Unified canopy combines feed cable and 4 aircraft cable
- Fully covers standard electrical box

Unified Round Canopy
Ø7.75" [197mm]

